



NESTING IDEAS

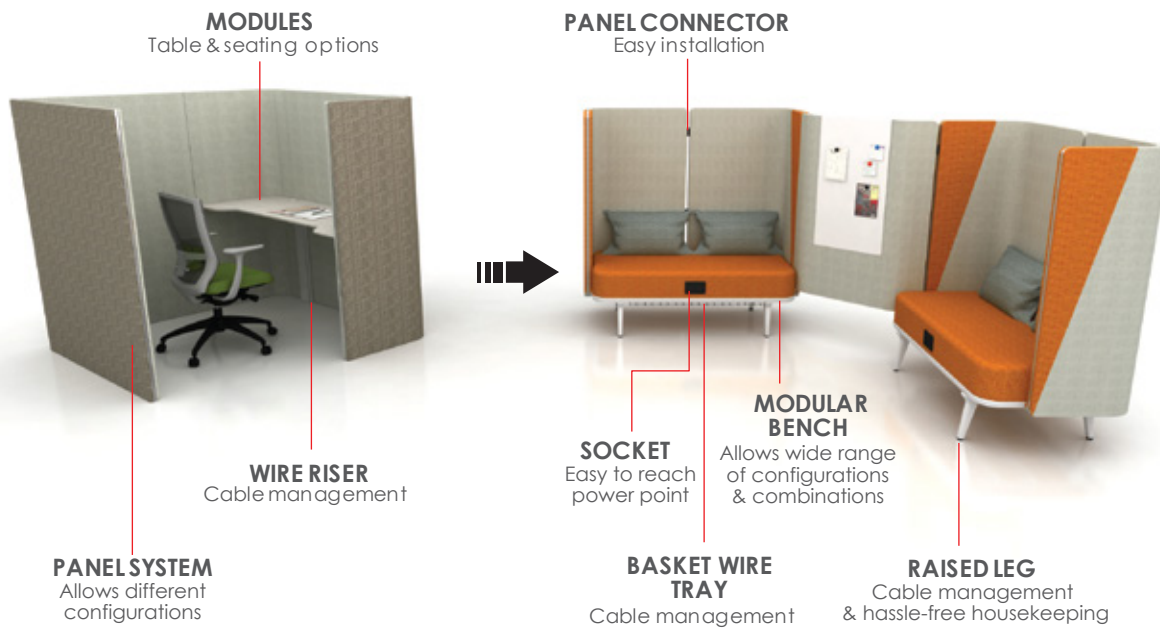
NET@WORK CHATTY NET

Agility with hospitality





CHATTY NET - THE NEW EXTENSION OF NET@WORK



Net@work
(2017)

Chatty Net
(2018)

T A B L E O F CONTENTS

| | |
|----------------|---------------------------|
| 03 | NET@WORK |
| 04 - 05 | NET@WORK TASK POD |
| 06 | NET@WORK STUDY POD |
| 07 - 08 | NET@WORK WORK POD |
| 09 - 10 | NET@WORK MEETING POD |
| 11 | NET@WORK PHONE BOOTH |
| 12 | NET@WORK DISCUSSION POD |
| 13 | NET@WORK LOUNGE |
| 14 | NET@WORK BAR COUNTER |
| 15 | NET@WORK STORAGE POD |
| 16 | WIRE MANAGEMENT |
| 17 | CHATTY NET |
| 18 - 20 | CHATTY NET DESK |
| 21 | CHATTY NET BREAKOUT AREA |
| 22 - 26 | CHATTY NET LOUNGE |
| 27 | CHATTY NET RELAX |
| 28 | WIRE MANAGEMENT |
| 29 - 30 | STANDARD DIMENSION |
| 31 | DETAIL |
| 32 | PROJECT REFERENCE |
| 33 - 34 | MAJOR CONTRACTS |

NET@WORK

Net@work provides innovative solution for agile workplace which requires both concentration and collaboration. It creates a private space for people to complete focused task in an open plan office environment.

The panel consists of good absorptive material, offering great acoustic comfort by reducing noise and high pitch sounds with an NRC (Noise Reduction Coefficient) rating of 0.8. It absorbs sound frequencies effectively, ranging from approximately 200 Hz to 2500 Hz. This helps to alleviate noise issue in workplace.

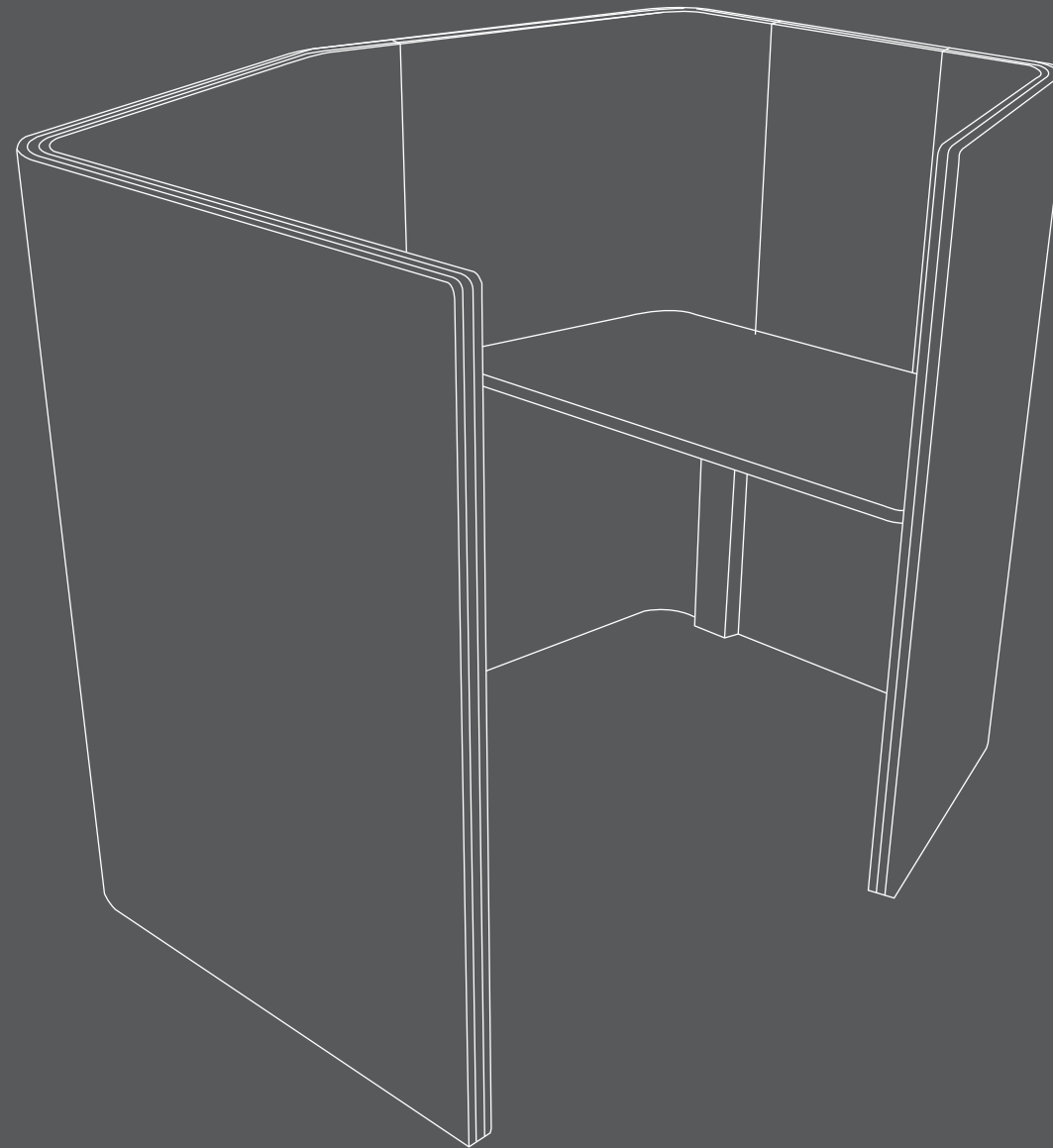
Net@work is an extendable and re-configurable system that can be planned and integrated with minimal effort to suit with any workplace interior. Net@work panels are 50mm thick and in modular with several height options to tailor according to user requirements.

The innovative geometric design provides endless possible configurations for various human activities, such as personal workplace, study corner, team collaboration area and breakout place. Its high panel design allows the creation of passageway and divides work area.

Incorporating with power connection, Net@work provides electrical connection point for laptop, tablets or task light. A wire riser is attached to the panel to route the cables from floor to work surface to access electricity.

0.8 NRC rating

Tested by Tuv Sud PSB Singapore
Test Report No. 7191172900-MEC17-EMK



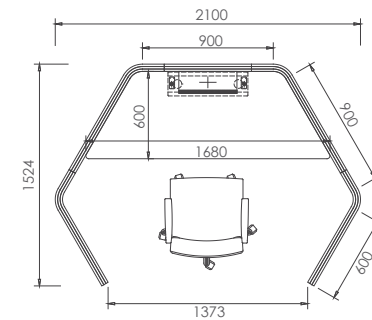


NET@WORK TASK POD

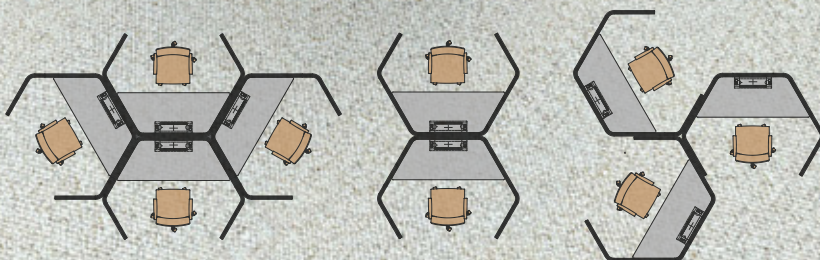
Honeycomb shaped task pod is an ideal working space for focused work in hectic working environment. It presents a distraction-free workplace, for people to work independently in a noise controlled environment.

- Panel** : EXL.024 Celedon | EXL.162 Storm
- Worktop** : Pino Blanco
- Chair** : Xenic
- Panel Height** : H1400

Dimension:



Other Configurations:



NET@WORK TASK POD

Net@work task pod is designed for modern and agile workplace with sound proofing and power supply options for a comfortable and private workplace. It can be clustered together in different configurations. This is ideal for housing team members who work in a group but each occupies an individual unit.

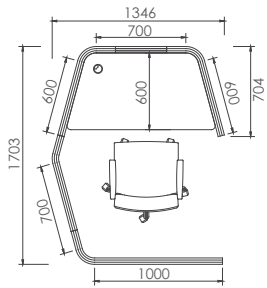
Panel : EXL.130 Dove | EXL.041 Sky

Worktop : White

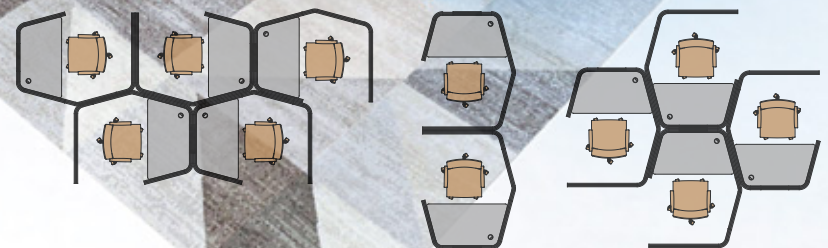
Chair : Xenic

Panel Height : H1200

Dimension:



Other Configurations:



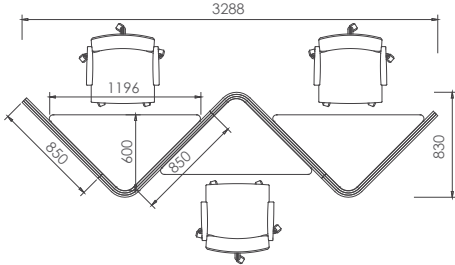


NET@WORK *STUDY POD*

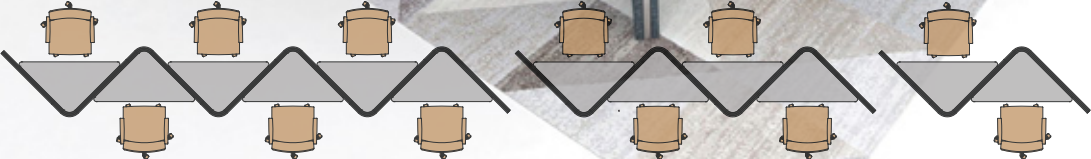
Net@work is an upholstered acoustic furniture that provides a solution for short term desk based environment for individual. Its triangular shaped pod creates a zigzag pod cluster which function as hot desk stations. With the triangular worksurface, this zigzag creates a highly efficient solution for focused tasks by minimizing distractions caused by external noise.

- Panel** : YM-802 | YM-808
- Worktop** : Rochelle White
- Chair** : Xenic
- Panel Height** : H1400

Dimension:



Other Configurations:

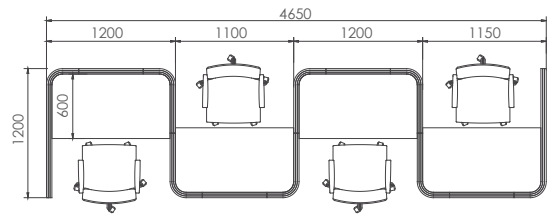


NET@WORK WORK POD

Net@work pod is designed in a range of modular acoustic panels to provide private workspaces that allow users to focus on specific tasks. Surrounded with high panel, private space is created to shut the gazes and noise distraction from surroundings.

- Panel** : YM-800 | YM-803
- Worktop** : Murnau Maple
- Chair** : Desiree
- Panel Height** : H1200

Dimension:



Other Configurations:



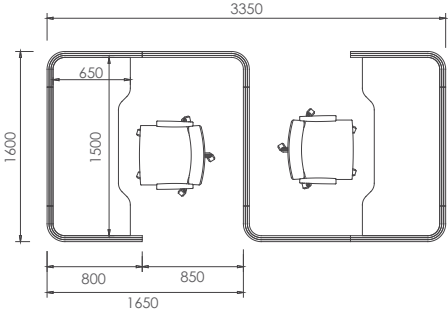


NET@WORK *WORK POD*

Net@work acoustic work pod completed with high panel provides seated privacy and acoustic sound control, creating a quiet and private work area. It is available in different styles and sizes to design a privacy zone within open plan areas.

- Panel** : EXL.020 Seagrass | EXL.160 Dusk
- Worktop** : Paradisa
- Chair** : Xera
- Panel Height** : H1400

Dimension:



Other Configurations:



NET@WORK MEETING POD

Net@work meeting pod is an alternative choice to host a small meeting without completely losing contact with the surrounding. Its reduced noise disruption feature makes it an ideal place for group discussion or meeting.

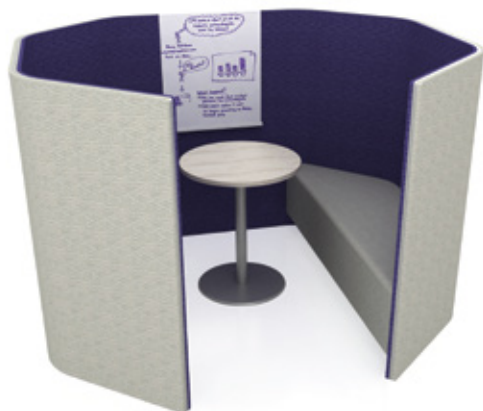
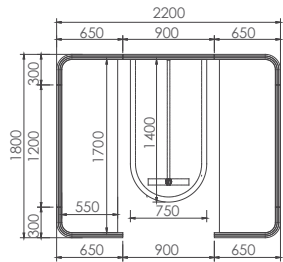
Panel : EXL.042 Capri | EXL.061 Galaxy

Sofa : EXL.061 Galaxy

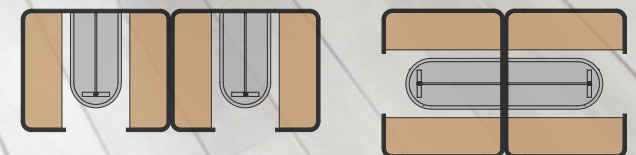
Worktop : American White Ash

Panel Height : H1500

Dimension:



Other Configurations:



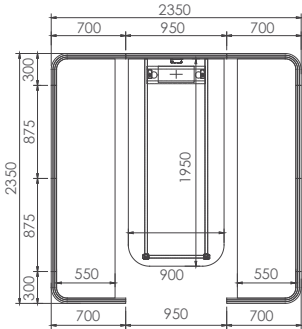


NET@WORK MEETING POD

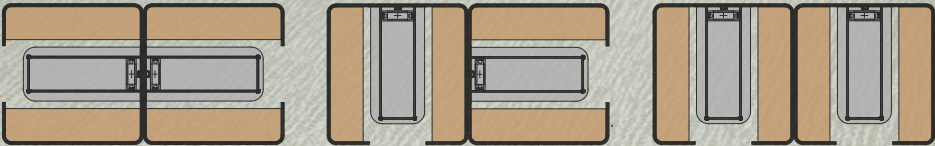
Net@work full height pod integrated with whiteboard and wire management facility is ideal for team collaboration and communication. This allow team to present, review and discuss digital work in a semi-enclosed environment. The roof design promotes clean air circulation, helping team to stay focused and motivated.

- Panel** : EXL.130 Dove | EXL.180 Java
- Worktop** : Snow White
- Panel Height** : H2100

Dimension:



Other Configurations:



NET@WORK PHONE BOOTH

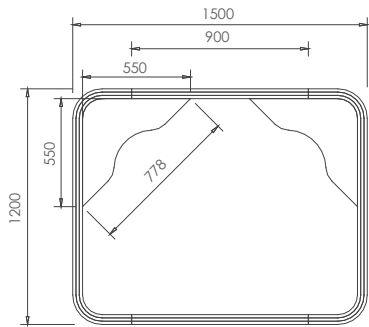
Net@work acoustic phone booth absorbs mid-frequency ambient noise, creating a comfortable and private place to make private call and video conference within an open workplace. This creates a great solution for noise distracted workplace.

Panel : YM-802 | YM-816

Worktop : White

Panel Height : H2100

Dimension:



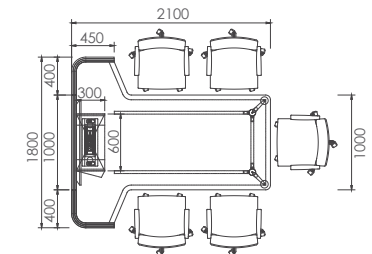


NET@WORK DISCUSSION POD

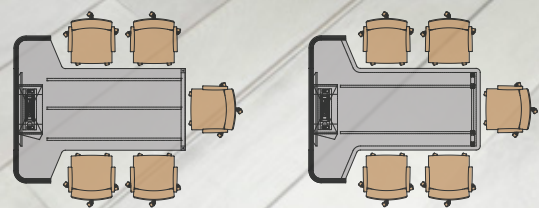
A fitted meeting table can be integrated with Net@work pod to act as a collaborative discussion pod in workplace. An integrated data and cable management within the pod provides complete electricity access.

- Panel** : EXL.023 Celery | EXL.161 Mercury
- Worktop** : Murnau Maple
- Chair** : Xenic
- Panel Height** : H1800

Dimension:



Other Configurations:



NET@WORK LOUNGE

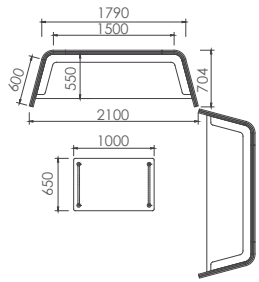
Net@work in sofa lounge design provides an adequate visual and acoustic shield against surrounding environment, creating a relaxing ambience of lounge seating.

Panel : YM-802 | YM-816

Sofa : YM-816

Panel Height : H1500

Dimension:





NET@WORK *BAR COUNTER*

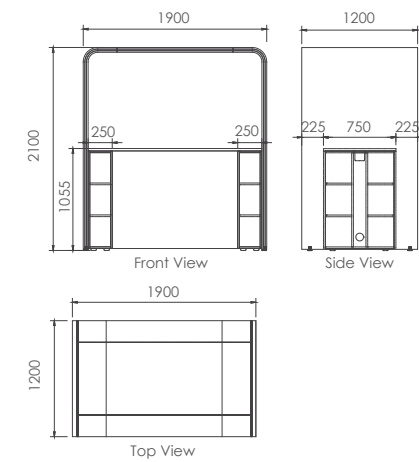
An acoustic bar counter provides a cozy space in an open area for impromptu meetings and discussions besides encouraging interactions.

Panel : EXL.020 Seagrass | EXL.130 Dove

Worktop & Cabinet : Ivory Maple

Panel Height : H2100

Dimension:



*Customised digital printing on panel is subject to available graphic.

NET@WORK STORAGE POD

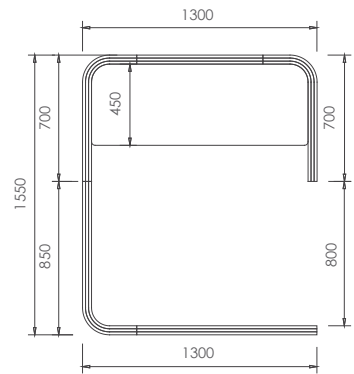
Net@work creates a niche for shelves to accommodate files and supplies in library or office area. It offers storage option for individual or team users.

Panel : EXL.051 Banana | EXL.130 Dove

Shelf : Snow White

Panel Height : H1400

Dimension:

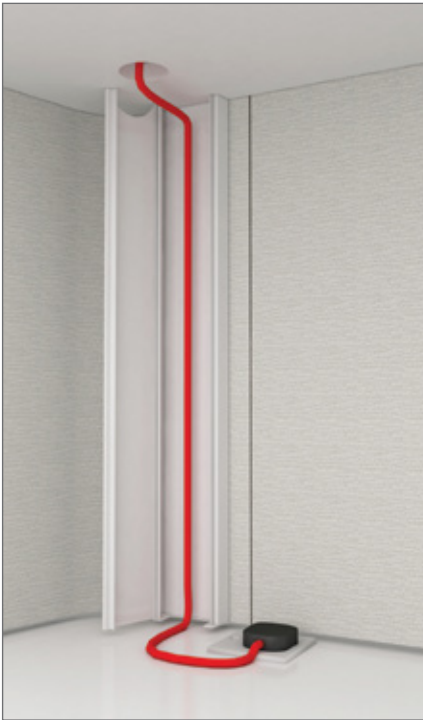


Other Configurations:



WIRE MANAGEMENT

Wire management in Net@work is nicely sealed underneath the table through grommet hole and wire riser. This allows all power, data and voice cables route from the power source to worksurface for user convenience. It comes with optional built-in power box.



A wire riser is attached to the panel to route the cables from floor to work surface.



CHATTY NET

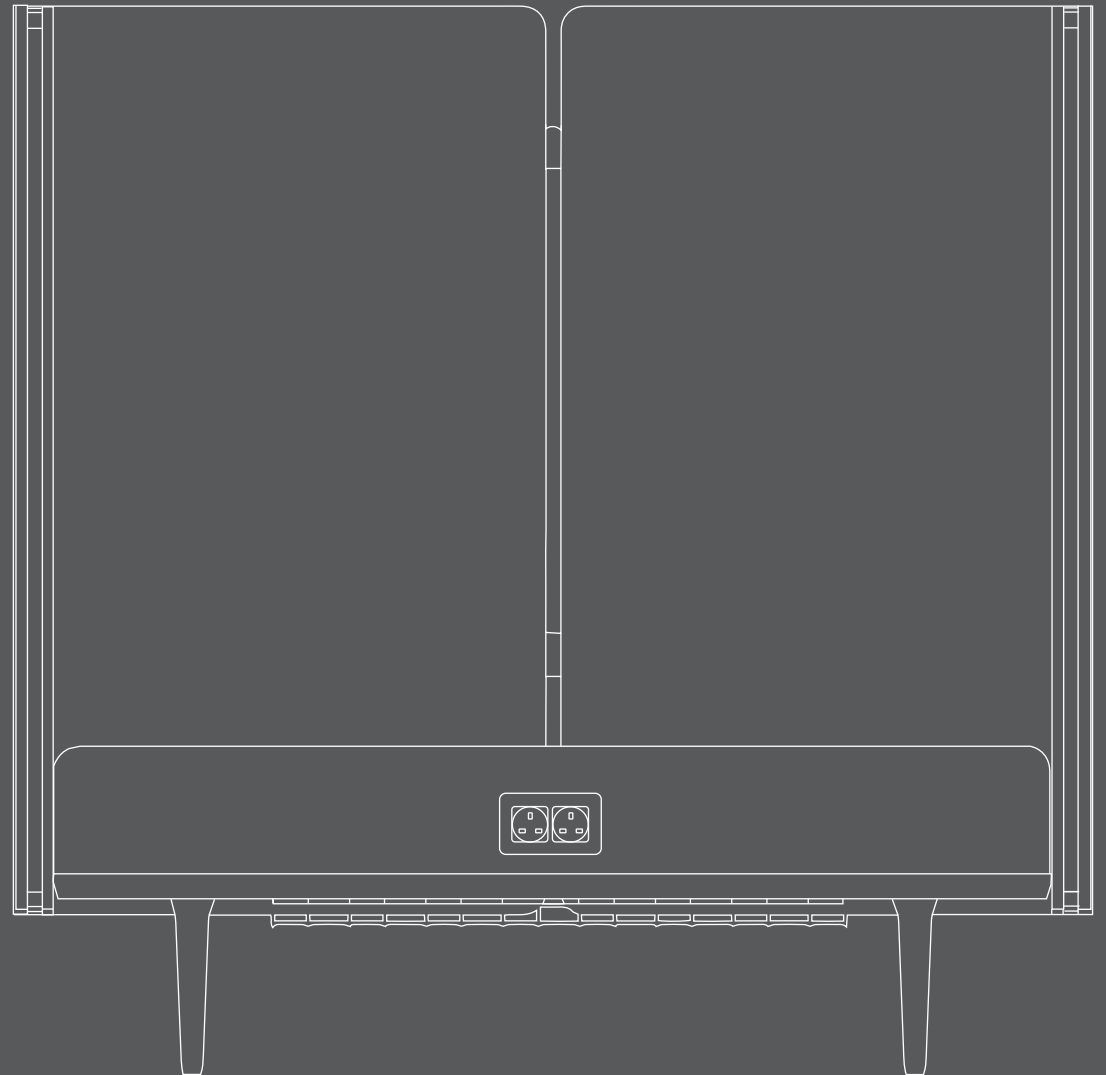
Realizing the importance of work life quality, Chatty Net provides an innovative solution to support casual work and provide a comfortable work space to encourage employee engagement and interaction.

Associated with smart cable management, this modular bench system provides a platform to accommodate different modules such as cabinets, tables, seats or cubicle planters, keeping everything close at hand.

Many configurations are possible with a single Chatty Net system, providing a higher degree of functionality within the collaborative zones. The raised legs design creates a floating effect to the system, giving a lightness impression and a better housekeeping management.

0.8 NRC rating

Tested by Tuv Sud PSB Singapore
Test Report No. 7191172900-MEC17-EMK



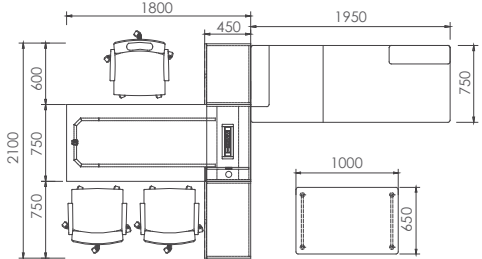


CHATTY NET *DESK*

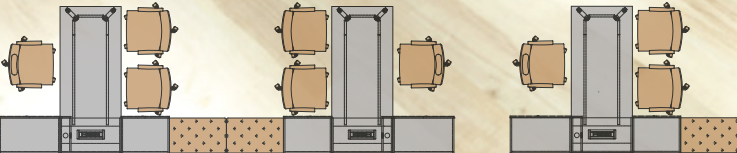
While appointments and consultancies never end, Chatty Net provides an innovative solution for tightly scheduled personnel to work effectively within a comfortable area. This modular system combines work desk, storage facility and waiting lounge to equip you for daily challenges.

- Worktop** : Marinus Walnut
- Cabinet** : White
- Sofa** : YM-805 | YM-810

Dimension:



Other Configurations:

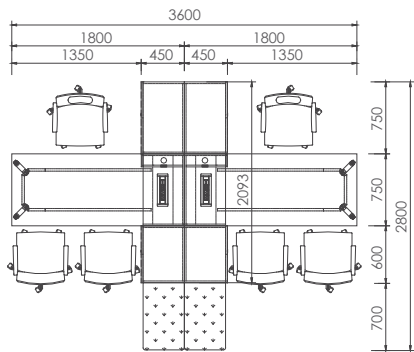


CHATTY NET *DESK*

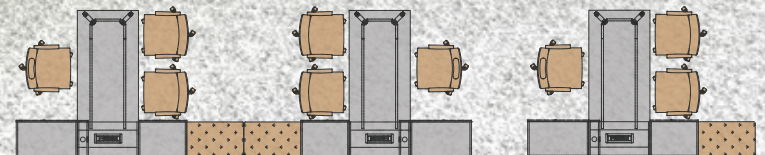
Chatty Net provides a rational choice for dynamic working environment. The bench frame allows different combinations of modules, which can be interchangeable according to needs.

- Worktop & cabinet** : American White Ash
- Cabinet** : White
- Sofa** : YM-817

Dimension:



Other Configurations:



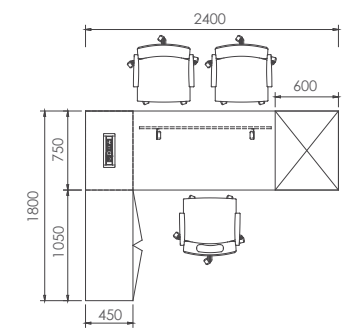


CHATTY NET *DESK*

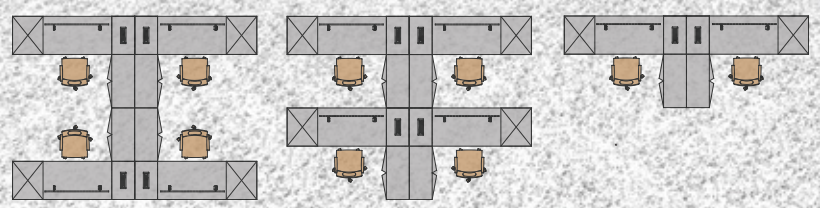
Chatty Net focuses on bringing convenience to the user by supporting the management of information technology and paper works, while providing a desirable environment for human communication. It aims to facilitate greater work efficiency and productivity.

- Worktop** : Pino Blanco
- Cabinet** : White
- Chair** : Supremo

Dimension:



Other Configurations:

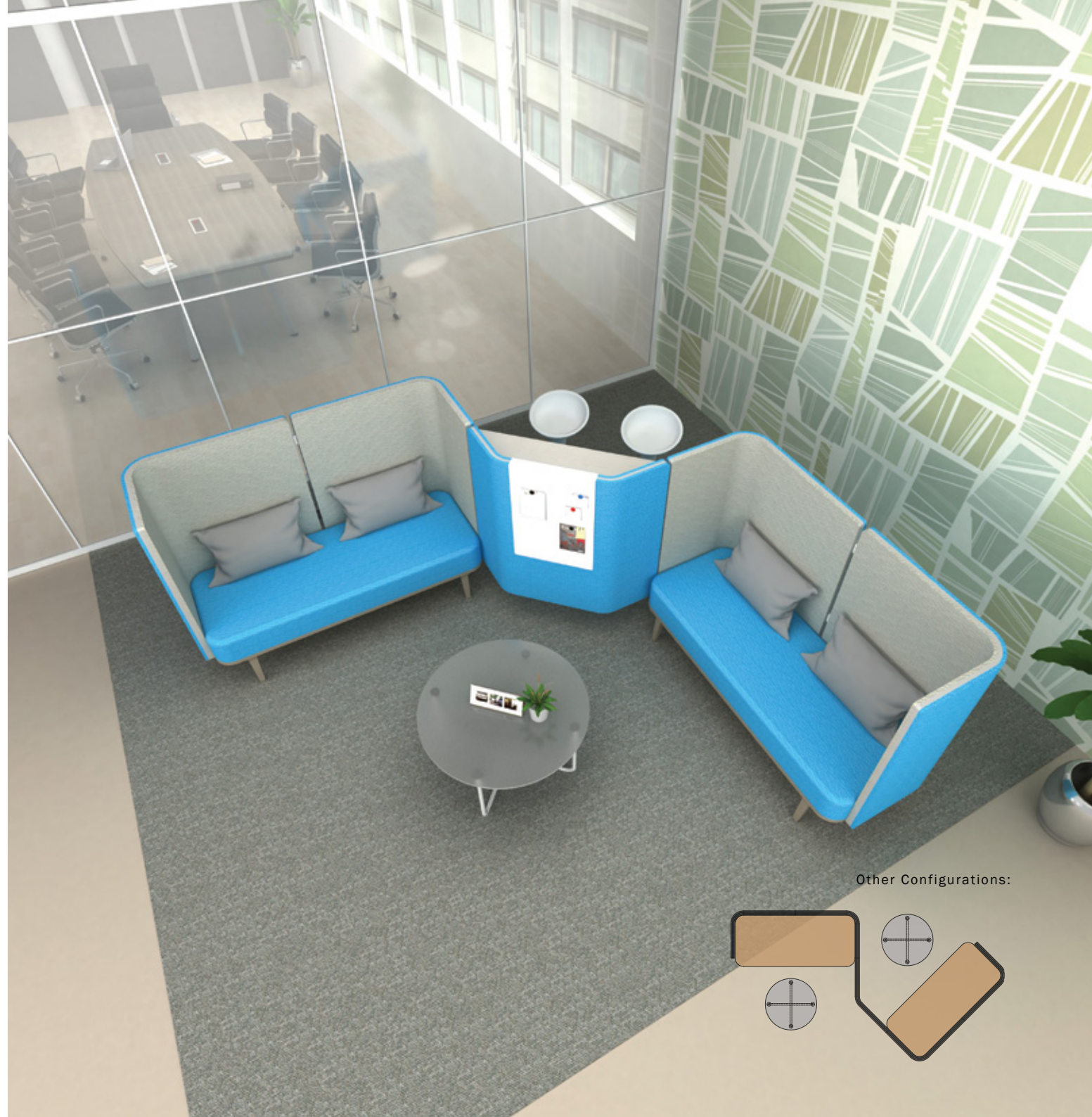
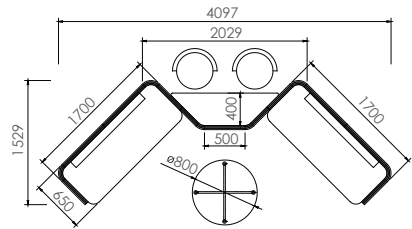


CHATTY NET *BREAKOUT AREA*

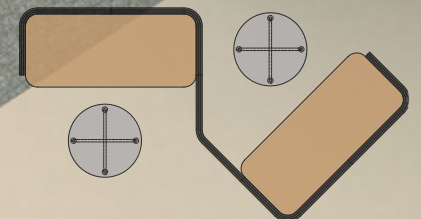
Chatty Net breakout area is an ideal place to recharge and refresh at work after long-hour table task. It is also suitable for informal meeting, as the system creates a conducive environment for conversation.

- Worktop** : Pino Blanco
- Panel** : EXL.130 Dove | EXL.041 Sky
- Sofa** : EXL.041 Sky

Dimension:



Other Configurations:





CHATTY NET LOUNGE

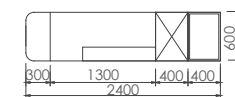
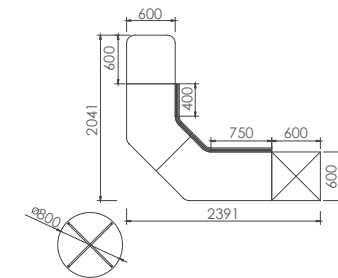
Chatty Net lounge can be combination of sofas, screen, tables, planter boxes and cabinets which link seamlessly to each other, creating a mix of rectilinear and curvilinear furniture to define space. The modular sofa can be configured or arranged to fit into different layouts.

Worktop : Pino Blanco

Cabinet : White

Sofa : YM-810 | YM-808

Dimension:



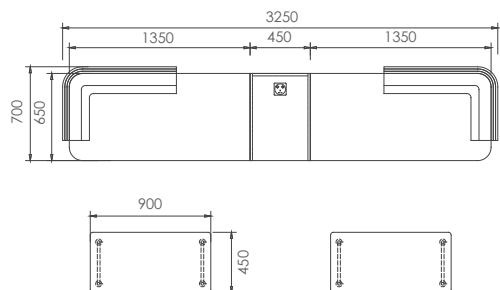
CHATTY NET LOUNGE

A waiting lounge designed with acoustic panel effectively reduces distractions and brings acoustic comfort to a satisfactory level. The cozy environment encourages a free flow of creativity and ideas for great work presentation.

Sofa : YM-802 | YM-804

Panel Height : H1400

Dimension:



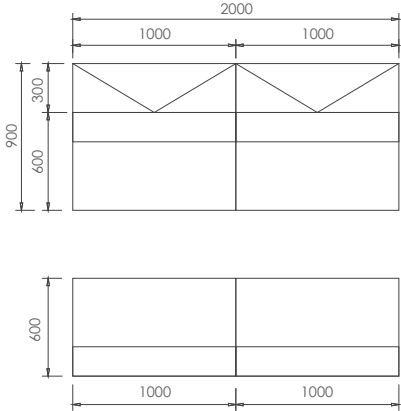


CHATTY NET LOUNGE

Chatty Net redefines the modular system with sofas, tables, stools and cabinets with endless possible configurations. Chatty Net bench can be used individually or linked with other elements such as cabinets or tables to satisfy the need for soft seating within casual area in an open plan office.

- Cabinet** : White
- Sofa** : EXL.052 Bling | EXL.180 Java

Dimension:



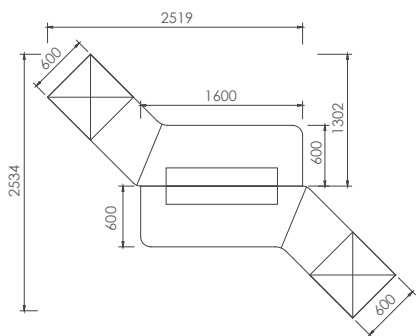
CHATTY NET LOUNGE

The modular design of Chatty Net lounge allows user to maximise the functionality of open space. Its soft lines and elegant curve design creates a relaxing and comforting atmosphere that is ideal for public spaces or waiting area.

Cabinet : White

Sofa : YM-816 | YM-802

Dimension:





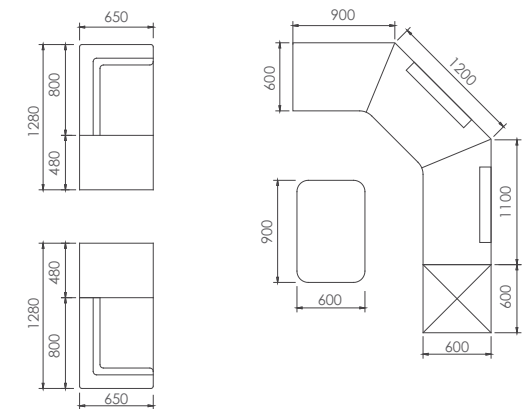
CHATTY NET *LOUNGE*

While a good statement piece reflects corporate identity, Chatty Net takes a step beyond its aesthetic value. The options of table and power point provide greater possibilities besides stereotypical impression of waiting lounge.

Cabinet : White

Sofa : YM-810 | YM-800

Dimension:



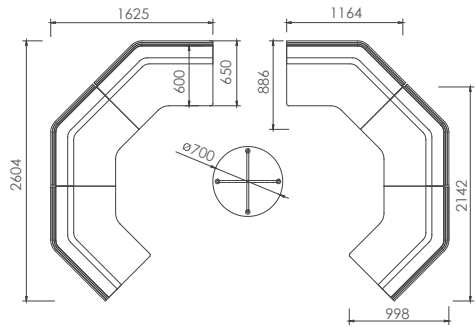
CHATTY NET *RELAX*

Associated with elevated acoustic panel, Chatty Net provides an ideal relaxing hub for a short getaway and casual speech. It provides a stress-free zone to complement work life balance idea.

Panel : YM-802

Sofa : YM-803

Dimension:

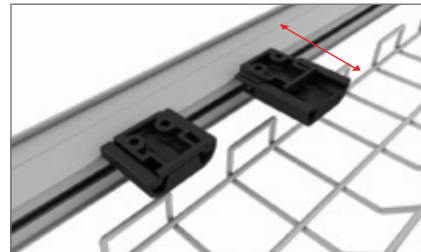
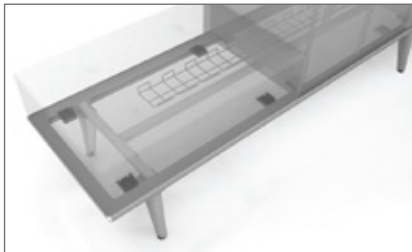


WIRE MANAGEMENT

Cables are conveyed along a hidden wire tray underneath the bench to destined outlets to support various activities which require electricity. Besides, raised legs also serve as an optional choice to route wires, further reducing unnecessary clutter.



CHATTY NET FEATURES



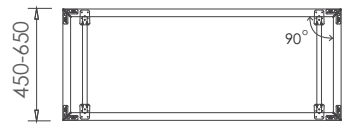
All modules are integrated with connectors for easy installation and reconfiguration.

The connector comes with pull and push design to lock onto the base.

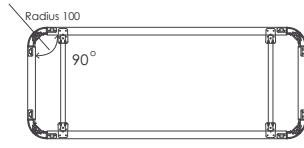
Chatty Net leg designed to route wires to wire tray at base structure

STANDARD DIMENSION

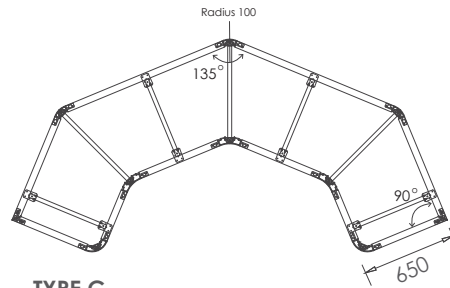
BASE OPTION



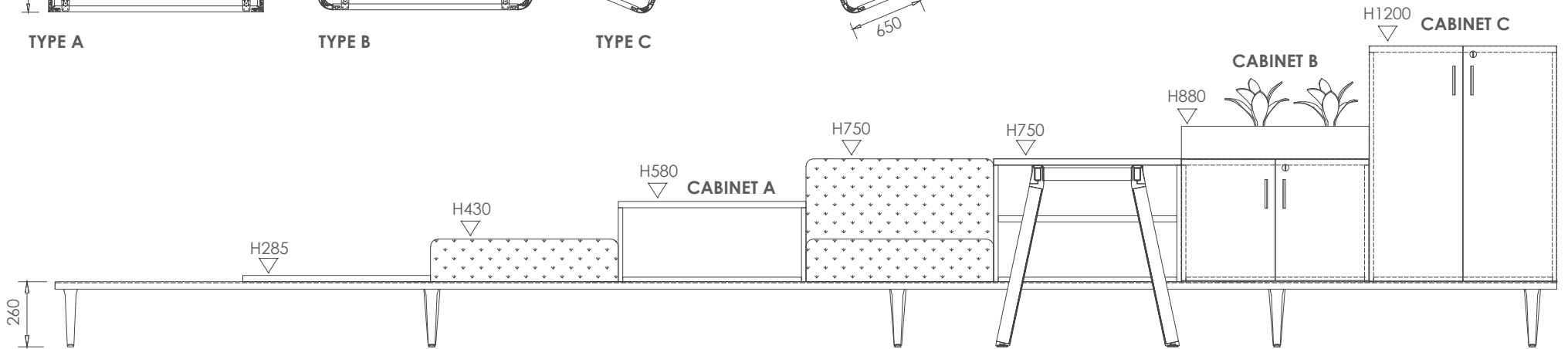
TYPE A



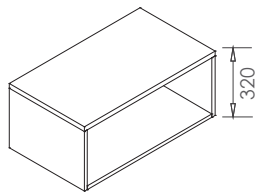
TYPE B



TYPE C

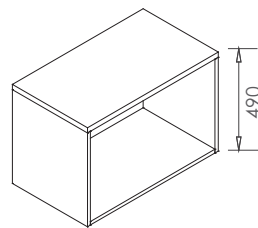


CABINET A OPTION

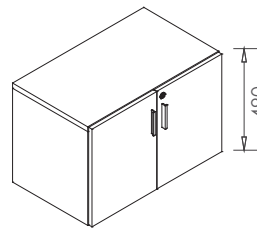


Open Shelf Cabinet

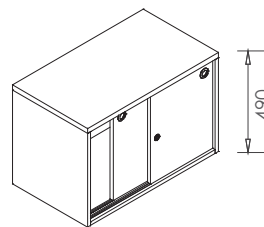
CABINET B OPTION



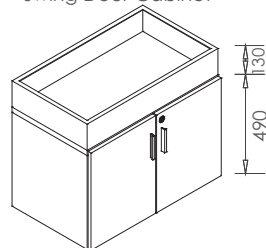
Open Shelf Cabinet



Swing Door Cabinet

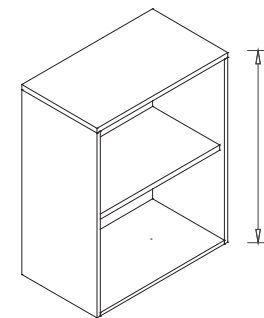


Sliding Door Cabinet

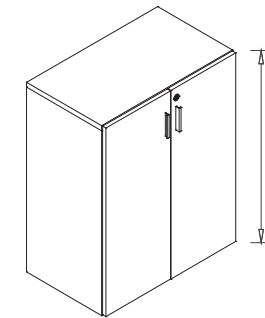


Swing Door Cabinet With Planter Box

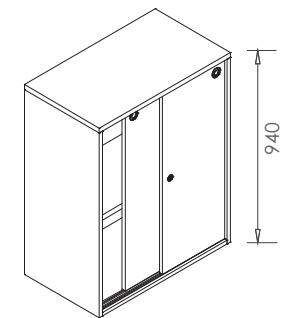
CABINET C OPTION



Open Shelf Cabinet

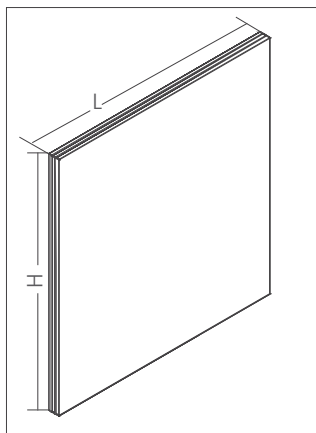


Swing Door Cabinet



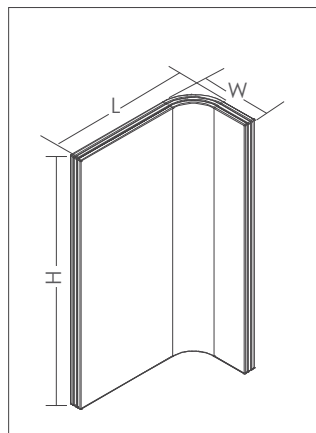
Sliding Door Cabinet

NET@WORK MODULE



RECTANGULAR MODULE

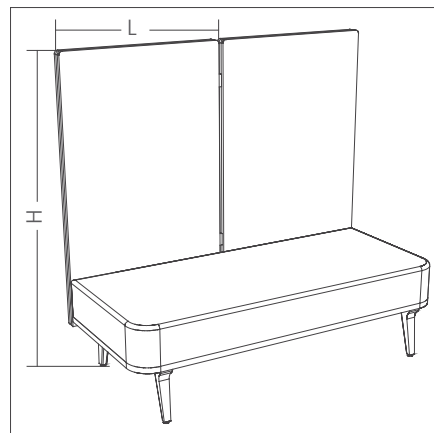
Height (H) : 1050mm to 1800mm
Length (L) : 450mm to 1200mm



L-SHAPED MODULE

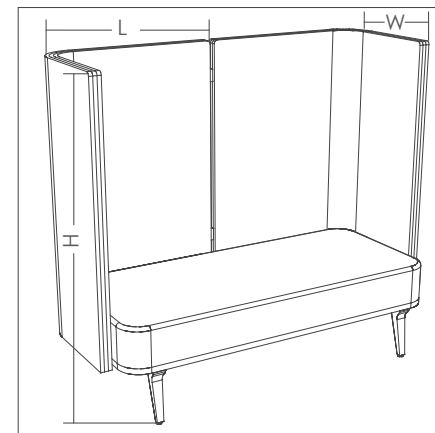
Height (H) : 1050mm to 1800mm
Length (L) : 600mm to 1000mm
Width (W) : 300mm

CHATTY NET MODULE



RECTANGULAR MODULE

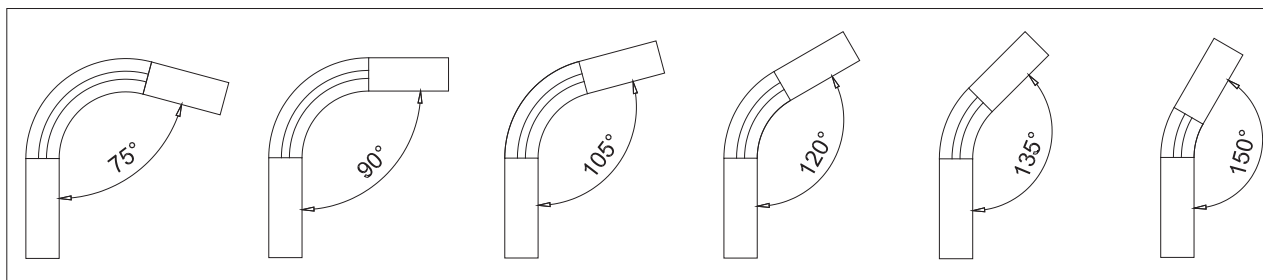
Height (H) : 900mm to 1400mm
Length (L) : 450mm to 1200mm



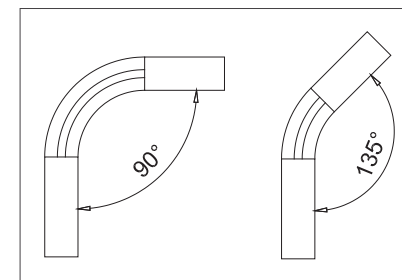
L-SHAPED MODULE

Height (H) : 900mm to 1400mm
Length (L) : 600mm to 1000mm
Width (W) : 550mm

PANEL ANGLE



Net@work Panel Angle



Chatty Net Panel Angle

DETAIL

PANEL PROFILE

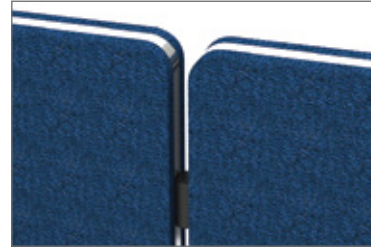


Rounded corner at the end of panel.

PANEL JOINING



NET@WORK
Panels are joined together by slotting.

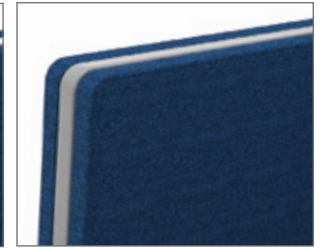


CHATTY NET
Panel connector joins two panels together.

PANEL TRIMMING COLOUR



Chrome



Grey

CHATTY NET BASE PROFILE



Round Edge



Sharp Edge

CHATTY NET BASE COLOUR



Tex White



Silver Matt



Silver Metallic



Champagne



Graphite



Black

All leg structures and panel frames come with epoxy coating to protect the structure and give a clear and glossy look.

CHATTY NET

CONNECTOR



Chrome Finishes



Epoxy Finishes

FABRIC COLOUR

Alexandra



A-102WH
White



A-105WH
Beige



A-100GY
Silver



A-117BL
Blue



A-110PU
Purple



A-103OR
Sun



A-116GR
Lime

Brute



BR-16GY
Paloma



BR-17BR
Brindle



BR-20OR
Cinnabar



BR-22PU
Eggplant



BR-24BL
Surf

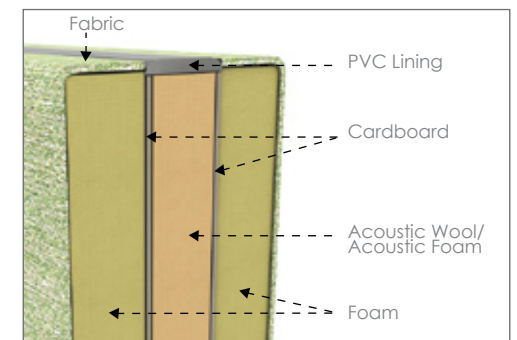


BR-27GR
Cactus



BR-28BL
Midnight

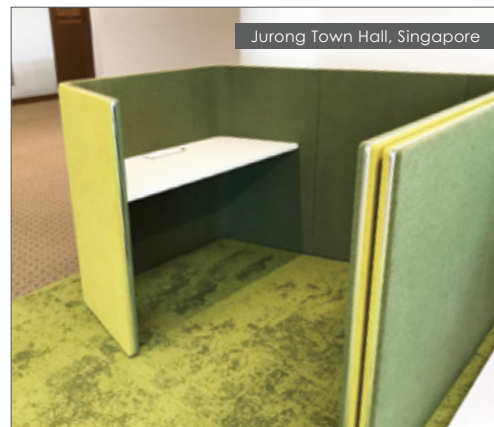
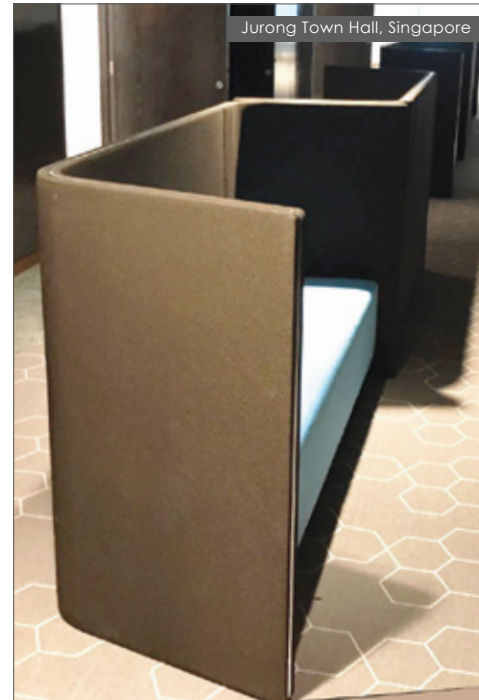
NET@WORK PANEL CROSS SECTION



Disclaimer:

1. All images are for illustration purposes only.
2. Colour shown may not be an accurate representation of the actual colour, please refer to actual colour samples for final confirmation.

PROJECT REFERENCE



MAJOR CONTRACTS

MALAYSIA

2022

| | | |
|----|----------|---|
| RM | 7.7 Mil | United Overseas Bank (M) Berhad, Plaza 2, Kuala Lumpur |
| RM | 3.8 Mil | Bursa Malaysia Berhad |
| RM | 3.5 Mil | Kastam |
| RM | 2.1 Mil | MyIPO |
| RM | 1.1 Mil | Ambank (M) Berhad |
| RM | 1.0 Mil | AIA Bhd |
| RM | 1.3 Mil | United Overseas Bank (M) Berhad, 1 Power House, Petaling Jaya |
| RM | 4.1 Mil | TM Hijrah |
| RM | 1.05 Mil | Unit Peneraju Agenda Bumiputera (TERAJU) |
| RM | 0.7 Mil | Pengurusan Aset Air Berhad |
| RM | 0.65 Mil | Menara TS Law |
| RM | 0.72 Mil | PERKESO, Klang |
| RM | 0.6 Mil | BP Business Service Centre Asia Sdn Bhd |
| RM | 0.52 Mil | Maybank, Mercu Maybank I City |

2021

| | | |
|----|----------|-------------------|
| RM | 1.2 Mil | TNB Genco |
| RM | 18.6 Mil | KWSP Kwasa |
| RM | 1.1 Mil | Lembaga Air Perak |

2020

| | | |
|----|---------|--|
| RM | 2.9 Mil | Pengurusan Air Selangor Sdn Bhd - Bangsar Trade Centre |
| RM | 2.6 Mil | MBSB Bank Berhad (HQ) |

2019

| | | |
|----|---------|--|
| RM | 2.6 Mil | Standard Chartered Bank, Equatorial Plaza KL |
| RM | 1.9 Mil | Sime Darby Motors City - Ara Damansara |

2018

| | | |
|----|---------|-----------------------|
| RM | 5.4 Mil | Cybersecurity |
| RM | 1.2 Mil | MCIS insurance Berhad |

| | | |
|----|---------|---|
| RM | 4.0 Mil | CIMB Bank Berhad, Wisma CIMB, Menara CIMB, MBC |
| RM | 1.7 Mil | Cyberjaya University College of Medical Science |
| RM | 2.8 Mil | Public Mutual Berhad |
| RM | 1.5 Mil | Ambank (M) Berhad |
| RM | 1.3 Mil | Sime Darby Holdings Bhd, Malaysia |

2017

| | | |
|----|---------|---|
| RM | 3.2 Mil | Pusat Pentadbiran Negeri Sabah |
| RM | 7.0 Mil | National Institute of Health - Ministry of Health Malaysia Setia Alam |

2016

| | | |
|----|---------|--|
| RM | 1.5 Mil | Perbadanan Kemajuan Negeri Selangor (PKNS) |
| RM | 1.3 Mil | BAT ASPAC Service Centre Sdn Bhd |
| RM | 3.2 Mil | MISC Berhad - Menara Dayabumi KL |

2015

| | | |
|----|---------|--|
| RM | 3.0 Mil | University of Reading Malaysia |
| RM | 2.0 Mil | Perbadanan Tabung Pendidikan Tinggi Nasional (PTPTN) |
| RM | 1.7 Mil | AIA Bhd |

2014

| | | |
|----|---------|--|
| RM | 1.6 Mil | Carigali Hess Operating Company Sdn Bhd - Menara Darussalam KL |
| RM | 2.9 Mil | SME Bank HQ |

2013

| | | |
|----|---------|---|
| RM | 2.4 Mil | Petronas Carigali EROC - Menara Binjai KL |
| RM | 1.1 Mil | Deloitte Malaysia - Menara LGB |

2013

| | | |
|----|---------|---|
| RM | 2.4 Mil | Petronas Carigali EROC - Menara Binjai KL |
| RM | 1.1 Mil | Deloitte Malaysia - Menara LGB |

2012

RM 1.9 Mil Huawei Technologies (Malaysia) Sdn Bhd - The ICON KL
RM 1.7 Mil Petrofac Malaysia - Tower 3 KLCC

2011

RM 1.6 Mil Alliance Bank Malaysia Berhad - Capital Square KL

2010

RM 20.0 Mil Putrajaya Holdings Sdn Bhd (Parcel 5G2, 4G8, 4G9, 4G10)
RM 5.5 Mil University Malaysia Sabah (UMS)

2009

RM 7.0 Mil CIMB Bank Berhad, Menara MBC KL

SINGAPORE

2022

RM 1.2 Mil VCOP MICRON

INDIA

2017

RM 1.7 Mil Renault Nissan, India

2016

RM 4.0 Mil TCS (Tata Consultancy Services), India
RM 4.0 Mil CTS (Cognizant Technology Solutions)
Block Teak G3, India

2015

RM 8.0 Mil TCS (Tata Consultancy Services), India

2014

RM 5.8 Mil TCS (Tata Consultancy Services), India
RM 2.1 Mil CTS (Cognizant Technology Solutions), India

2013

RM 4.8 Mil CTS (Cognizant Technology Solutions), India
RM 3.3 Mil TCS (Tata Consultancy Services), India

2012

RM 16.0 Mil TCS (Tata Consultancy Services), India ~Phase II

2011

RM 16.0 Mil CTS (Cognizant Technology Solutions), India

2010

RM 19.0 Mil TCS (Tata Consultancy Services), India

THAILAND

2017

RM 2.6 Mil Pearl Bangkok, Thailand

INDONESIA

2018

RM 1.7 Mil PIK Office ASG, Indonesia

2016

RM 6.0 Mil MNC Group, Indonesia



ARTMATRIX TECHNOLOGY SDN BHD 200501017101 (694144-X)
ARTMATRIX MANUFACTURING SDN BHD 200501016616 (693659-U)
 Lot 32789, Jalan 5/1A, Taman Perindustrian Selesa Jaya,
 43300 Balakong, Selangor, Malaysia.
 ☎ +603 8962 2286 📠 +603 8961 8862
 ✉ sales@artmatrix.com.my 🌐 www.artmatrix.com.my

FOLLOW US



MALAYSIA • SINGAPORE • THAILAND • MAURITIUS • INDIA • INDONESIA • PHILIPPINES • CAMBODIA • MYANMAR • SAUDI ARABIA

Accreditation



Green Labels and Awards



International Member of



Member of

