



# **SUPREMO**

An Ultimately Elegant Choice







## SUPREMO

Supreme in function and form, this collection of aluminium chairs are well appointed for all modes of office space. Light weight, the design breaks away from traditional chair concept of rigid and solid shell back.

Supremo showcases instant lift seat height adjustment, tilt lock and tilt tension control. These multi-function qualities are incorporated to give adequate support to your lumbar region during sitting time for a more comfortable experience.

This chair comes with 2 models, a sleek low slung back version and the other has sturdy support that reaches the back of the head. At the same time, its suspended seat back provides better support and flexibility. An aluminium chair base comes with either 5-star nylon castors or 4-star glides provide easy mobility in work spaces.

Supremo comes with a range of upholstery and material options that allow you to customize the chair and blend it into any working space, from executive room to meeting room and reception area.



# SUPREMO RIB

Supremo upholstered in leather or PU leather with clean and trim lines makes it appropriate in all kind of places, from classic to elegant office. A single continuous piece of seat-back upholstery tautly stretched between two aluminium side profiles, creating comfy alignment of the back.



## A BACKREST & SEAT

One-piece leather seat back upholstery with clean and trim lines for a refined appearance and long term comfort.



## B ARMREST

Chromed die-cast aluminium armrest.



## C MULTIFUNCTION MECHANISM

Seat height adjustment, tilt lock and tilt tension control.



### Supremo Rib Collections



SVS3C3H-R



SVS3C3L-R



SVS3C3V-R



# SUPREMO PAD

Supremo soft pad leather chair provides an optional choice of design. Luxurious feel of leather is fashioned into individual soft pads that will not flatten over time to provide great comfort.



## A BACKREST & SEAT

Luxurious feel of leather is fashioned into individual soft pads on the backrest and seat provide suspension comfort.



## B ARMREST

Chromed die-cast aluminium armrest.



## C MULTIFUNCTION MECHANISM

Seat height adjustment, tilt lock and tilt tension control.



### Supremo Pad Collections



SVS3C3H-P



SVS3C3L-P

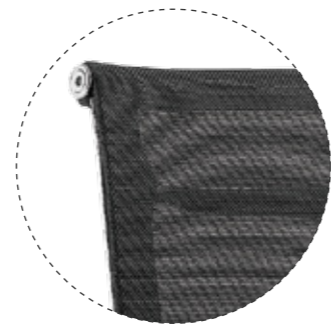


SVS3C3V-P



# SUPREMO MESH

A durable yet elastic nylon mesh upholstery creates Supremo Mesh in one-piece seat and back. The breathable, woven, and translucent mesh offers contouring comfort and good ventilation.



## A BACKREST & SEAT

Breathable mesh backrest and seat provide good air circulation.



## B ARMREST

Chromed die-cast aluminium armrest.



## C MULTIFUNCTION MECHANISM

Seat height adjustment, tilt lock and tilt tension control.



### Supremo Mesh Collections



SVS3C3H-M



SVS3C3L-M

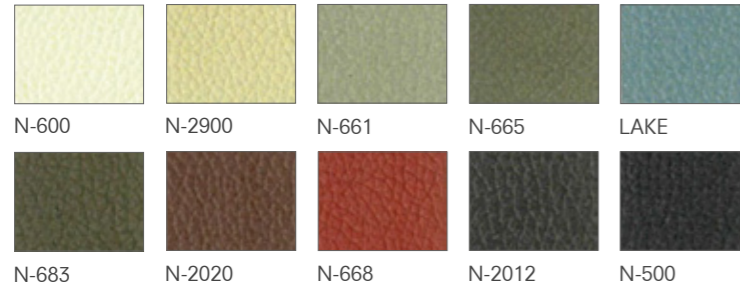


SVS3C3V-M



## FINISHING

### NATURA LEATHER

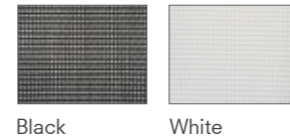


### VERVE SYNTHETIC LEATHER



Note : 1. For more colour selection, please refer to Artmatrix fabric chart.  
2. Leather color shown may not be an accurate representation of the actual colour, kindly refer to actual colour sample for final colour confirmation.

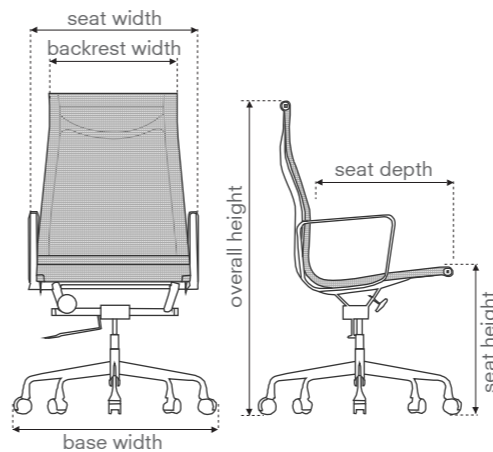
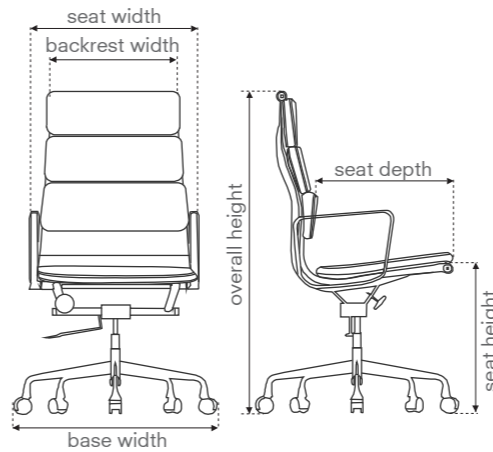
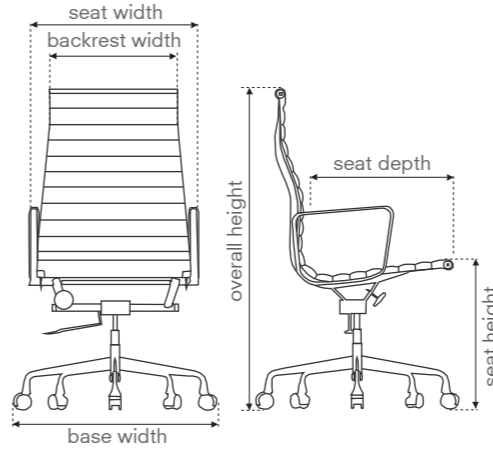
### MESH



### BASE



## DIMENSIONS



### SUPREMO RIB DIMENSIONS

Chair sizes	High back	Low back	Visitor
Overall height (mm)	975 - 1050	785 - 870	810
Seat height (mm)	410 - 490	410 - 490	450
Seat depth (mm)	460	460	460
Backrest width (mm)	430	450	450
Seat width (mm)	515	515	515
Base width (mm)	700	700	700

### SUPREMO PAD DIMENSIONS

Chair sizes	High back	Low back	Visitor
Overall height (mm)	1000 - 1080	835 - 910	840
Seat height (mm)	460 - 540	460 - 540	490
Seat depth (mm)	460	460	460
Backrest width (mm)	450	460	460
Seat width (mm)	515	515	515
Base width (mm)	700	700	700

### SUPREMO MESH DIMENSIONS

Chair sizes	High back	Low back	Visitor
Overall height (mm)	995 - 1075	785 - 870	810
Seat height (mm)	410 - 485	410 - 485	450
Seat depth (mm)	475	475	475
Backrest width (mm)	430	450	450
Seat width (mm)	505	505	505
Base width (mm)	700	700	700

\* Variance ± 5mm

Packing size :

Chair model	High back	Low back	Visitor
Container sizes			
Qty (Unit) / 20 GP	108	120	120
Qty (Unit) / 40 HQ	320	352	352

## TEST CERTIFICATE

Test Certificate

Expertise • Independence • Integrity

This certificate confirms that the

OFFICE CHAIR

REF.: SUPREMO

supplied by

ARTMATRIX TECHNOLOGY SDN. BHD.

has been tested by TÜV SÜD PSB Pte Ltd, on behalf of FIRA International Limited, and successfully satisfied the applicable test requirements from:

ANSI/BIFMA X5.1-2002

According to the Standards, this product is therefore considered to be structurally suitable and sufficiently stable for General Purpose Office use.

TÜV SÜD PSB Report reference: 719155063-MEC01- OCS  
FIRA Certificate reference: TAPSB00484

SIGNATURE

Phil Reynolds

POSITION

Senior Manager - Technical Services

CERTIFICATE DATE

25 January 2010

For and on behalf of FIRA INTERNATIONAL LIMITED

FIRA

Expertise • Independence • Integrity

FIRA International Ltd, Maxwell Road, Stevenage, Hertfordshire SG1 2ER, England.

FOLLOW US



**ARTMATRIX TECHNOLOGY SDN BHD** 200501017101 (694144-X)  
**ARTMATRIX MANUFACTURING SDN BHD** 200501016616 (693659-U)  
Lot 32789, Jalan 5/1A, Taman Perindustrian Selesa Jaya,  
43300 Balakong, Selangor, Malaysia.  
☎ +603 8962 2286 📠 +603 8961 8862  
✉ sales@artmatrix.com.my 🌐 www.artmatrix.com.my

MALAYSIA • SINGAPORE • THAILAND • MAURITIUS • INDIA • INDONESIA • PHILIPPINES • CAMBODIA • MYANMAR • OMAN, SAUDI ARABIA

Accreditation



Green Labels and Awards



International Member of



Member of

