



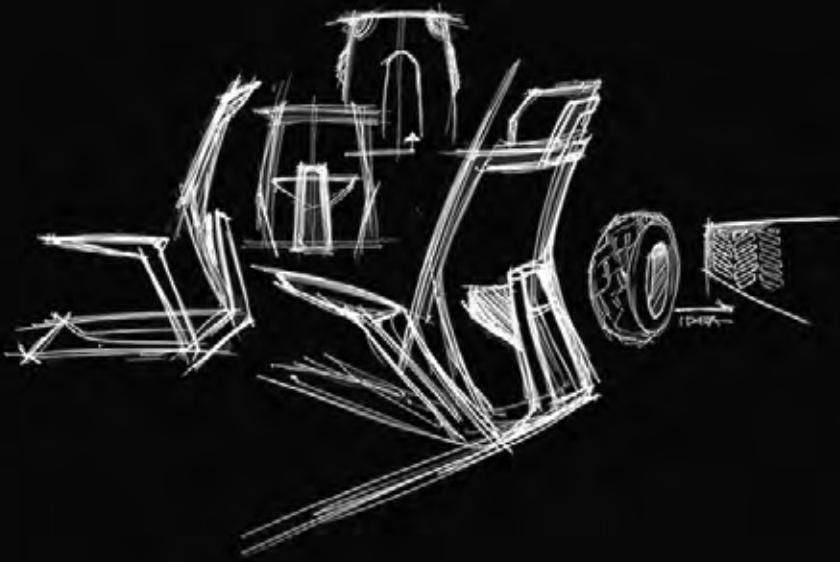
ZETA

Driven by instinct



ZETA

"Exact Time of Arrival"



"Driven by Instinct"

ZETA, originated from the letter Z derived from the iconic Datsun Z Series while ETA stands for the automotive term "Exact Time of Arrival". Driven by instinct toward your goal and destination, take control and strive to achieve it.





ZETA

ZETA chair is born as a symbol of tribute to Datsun Z, bringing the performance, comfort, and aesthetic value that all decision-makers seek. As the Iconic Datsun Z Series inspired our designer, ZETA was designed and engineered to embrace the balance between performance and affordability.

Sit in one, feel the support; allow the comfort to motivate the mind in auto-mode and driven by instinct toward being a winner of a competitive race. Let ZETA be your companion to cruise to greater heights in business or career.



SCAN HERE
FOR ANIMATION
INTRODUCTION



MINIMALIST

ZETA's geometry and lines are designed with a purpose in mind, its ultra-thin edges showcase its craftsmanship and precision. Giving it a modern yet minimalist look to match your working environment.





COMFORT

Armrest with three-dimensional adjustability and large chamfered contour design, multi-function mechanism, breathable mesh, adjustable headrest and lumbar support. Zeta ergonomic design gives users ultimate support and comfort needed for long hours of seating.

FEATURES AND FUNCTIONS

1 SYNCHRONIZED MULTI-LOCKING MECHANISM

Automatically coordinates your seat, back movement, and locking your ideal position in three different angles to suit your posture.



K-Mechanism



T-Mechanism



K-Mechanism



Y-Mechanism

SYNCHRONIZED MONO-LOCKING MECHANISM

Automatically coordinates your seat, back movement, and allows the backrest to be locked and prevent it from reclining or vice versa.



Y-Mechanism

3 SEAT DEPTH ADJUSTMENT

ZETA adjustable seat depth allows the seat pan to slide in order to accommodate different leg lengths for greater comfort.



K-Mechanism

2 SEAT HEIGHT ADJUSTMENT

Adjust the seat height so that your feet are always resting on the floor to minimize the pressure on the back of your thighs.



K-Mechanism



T-Mechanism



Y-Mechanism

4 ADJUSTABLE HEADREST

Optional add on headrest made from TPE which has good thermal and recyclable properties. With height adjustable feature allows greater flexibility to adjust your posture for utmost comfort.



5 SUPPORTIVE BACKREST

Mesh designed backrest is breathable and ergonomically designed to fit your body to support agile work throughout the day, meanwhile enabling quick adaptation of short comfort resting that one needs now and then.

6 ADJUSTABLE LUMBAR SUPPORT

Optional add-on distinctive lumbar support made from TPE which has good thermal and recyclable properties, allows you to adjust it in various heights and keep your spine in the correct position.



7 BASE

ZETA comes in nylon or aluminium base with sturdy 60mm dual-wheel castor providing smooth gliding on floor and carpet.

8 3 DIMENSIONAL ADJUSTABLE ARMREST

ZETA add-on adjustable armrest comes with a signature three independent adjustments and designed ergonomically with slight curve to allow your hands to rest comfortably.



AVAILABLE RANGE

BASIC RANGE (JUST MESH)



Cantilever



Mid-back



High-back

ADVANCE RANGE (WITH LUMBAR)



Cantilever



Mid-back



High-back

AVAILABLE OPTIONS

ARMREST TYPES



Fixed armrest



3 dimensional adjustable armrest

MECHANISM TYPES



Synchronized mono-locking (Y-mechanism)



Synchronized multi-locking (T-mechanism)



Synchronized multi-locking with adjustable seat depth (K-mechanism)

BASE TYPES



Nylon base

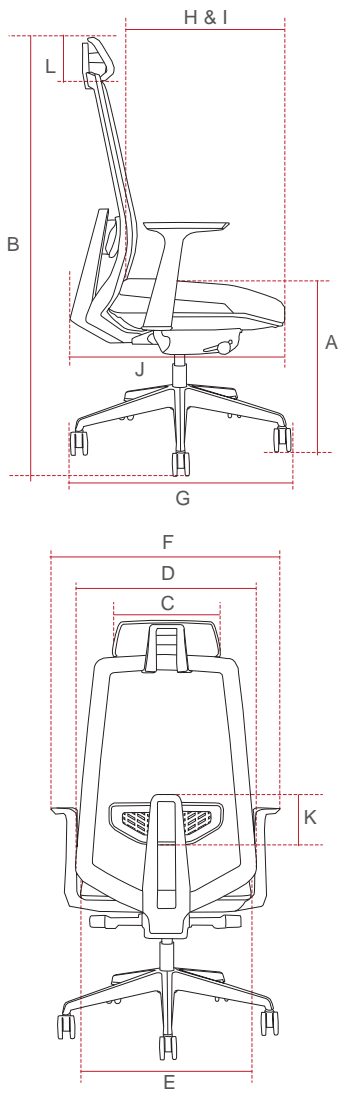


Aluminium base



Cantilever base

DIMENSIONS



Dimension (mm)		Cantilever	Mid-back	High-back
A	Seat height for cantilever	450		
	Seat height for synchronized mono-locking (Y-mechanism)		465 - 550	
	Seat height for synchronized multi-locking (T-mechanism)		460 - 544	
	Seat height for synchronized multi-locking with adjustable seat depth (K-mechanism)			
B	Overall height for cantilever	1035		
	Overall height for synchronized mono-locking (Y-mechanism)		1050 - 1130	1122 - 1202
	Overall height for synchronized multi-locking (T-mechanism)		1043 - 1127	1150 - 1230
	Overall height for synchronized multi-locking with adjustable seat depth (K-mechanism)			
C	Headrest width			295
D	Backrest width	490	490	
E	Seat width	510	510	
F	Overall width for fixed armrest	660	660	
	Overall width for 3 dimensional adjustable armrest		670	
G	Base width	560	745	
H	Seat depth	500	500	
I	Overall depth	500	558	
J	Seat depth range		58	
K	Adjustable lumbar range	35	35	
L	Adjustable headrest range			23

* Variance $\pm 5\text{mm}$

Packaging Types	Container Sizes					
	20' GP			40' GP		
Completely Knocked Down (CKD) 1 chair per carton, chair base packed separately	Cantilever	Mid-back	High-back	Cantilever	Mid-back	High-back
		159			360	
Completely Built Unit (CBU) 2 chairs per carton	Cantilever	Mid-back	High-back	Cantilever	Mid-back	High-back
	48	108	96	144	216	192

COLOUR OPTIONS

BACKREST MESH COLOURS



Black Grey Green Red Blue

LUMBAR AND HEADREST COLOURS



Black Grey Green Red Blue

FRAME COLOUR



Black

SEAT FABRIC COLOURS



K-18 Black K-04 Grey K-03 Stone K-10 Granberry K-09 Red K-05 Yellow K-16 Apple K-14 Aquamarine

Disclaimer:

Colour shown may not be an accurate representation of the actual colour, please refer to actual colour samples for final confirmation.

FOLLOW US



ARTMATRIX TECHNOLOGY SDN BHD 200501017101 (694144-X)
ARTMATRIX MANUFACTURING SDN BHD 200501016616 (693659-U)
Lot 32789, Jalan 5/1A, Taman Perindustrian Selesa Jaya,
43300 Balakong, Selangor, Malaysia.
☎ +603 8962 2286 📠 +603 8961 8862
✉ sales@artmatrix.com.my 🌐 www.artmatrix.com.my



MALAYSIA • SINGAPORE • THAILAND • MAURITIUS • INDIA • INDONESIA • PHILIPPINES • CAMBODIA • MYANMAR • SAUDI ARABIA

Accreditation



Green Labels and Awards



International Member of



Member of

