



IF

Intelligent Folding





I N T R O D U C T I O N

IF, structured with aluminium extrusion on a rigid aluminium die-cast base, allowing the system to be configured to please workplace aesthetic and suit all corporate functions. Complete with intelligently design wire management system, cables are hidden underneath tabletop and cabinets.

IF system is available in 4 types: IF-foldable, IF-revolving, IF-cluster and IF-extra. Aiming to provide high flexibility, IF system provides an exceptional platform for different applications – from general working area to conference room and waiting lounge.

IF-foldable, turns a function room to training room, meeting room, and conference room. IF-revolving, a new revolution in workstation system maximised the creativity in workstation configuration. IF-cluster, an organized workplace for all users where privacy is ensured. IF-bench, the lounge storage and seating elevated with matching base, just perfect the office.

T A B L E O F CONTENTS

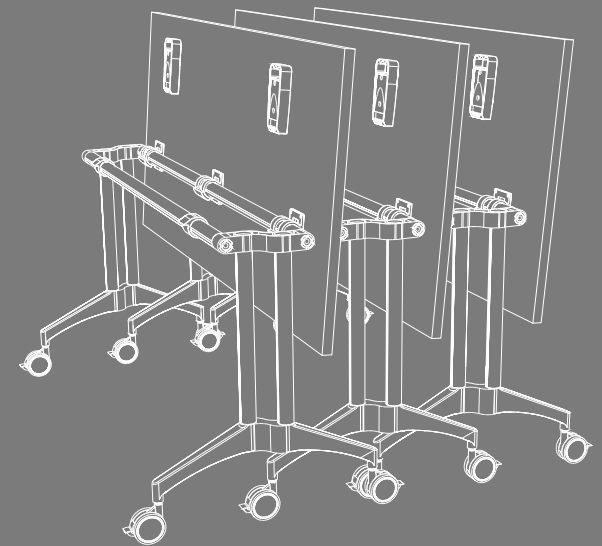
01 - 02	IF-FOLDABLE
03	Training Table
04	Seminar Table
05	Meeting Table
06	Discussion Table
07	IF-CLUSTER
08 - 09	Staff Workstation
10	Executive Workstation
11	IF-REVOLVING
12 - 13	Executive Workstation
14	Staff Workstation
15	IF-BENCH
16	Waiting Area
17	Breakout Area
18	Reception Area
19 - 20	WIRE MANAGEMENT
21	TECHNICAL GUIDE
22	DETAILS
23 - 24	STANDARD DIMENSION
25	CERTIFICATES
26	PROJECT REFERENCES
27 - 28	CLIENT LIST





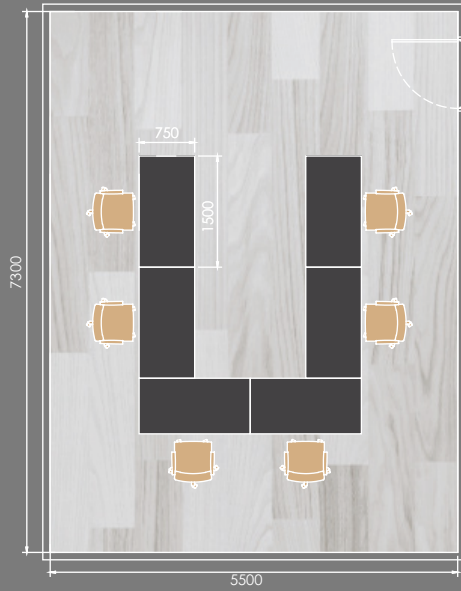
IF-FOLDABLE

IF-foldable is a friendly and versatile folding table for active spaces. It comes with folding function, allowing the table to be folded to ease the storage in an orderly manner. IF-foldable is integrated with intuitive IF linking device that allows the tables to connect and separate easily from one to another.

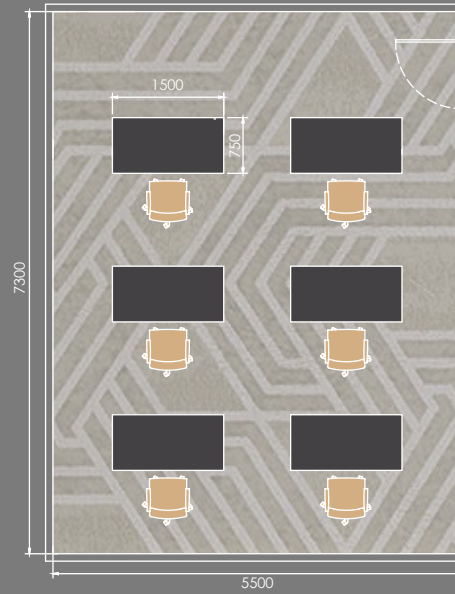


IF MODULAR TABLE CONFIGURATION

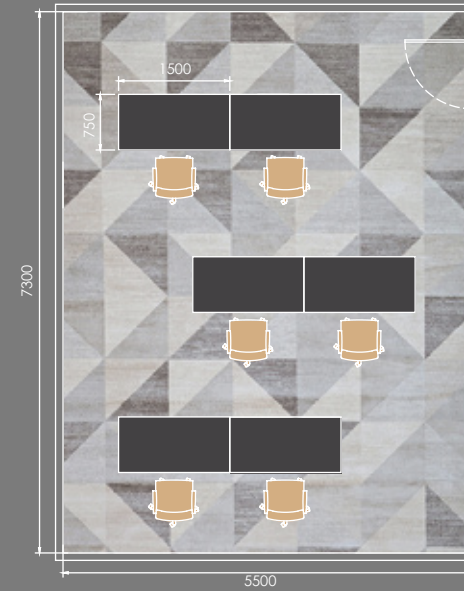
MEETING ROOM



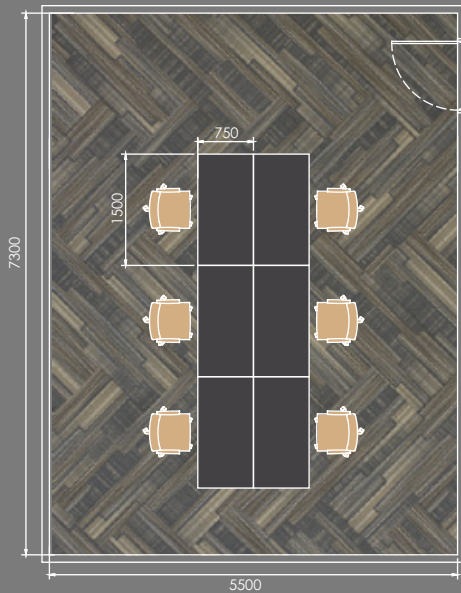
CLASSROOM



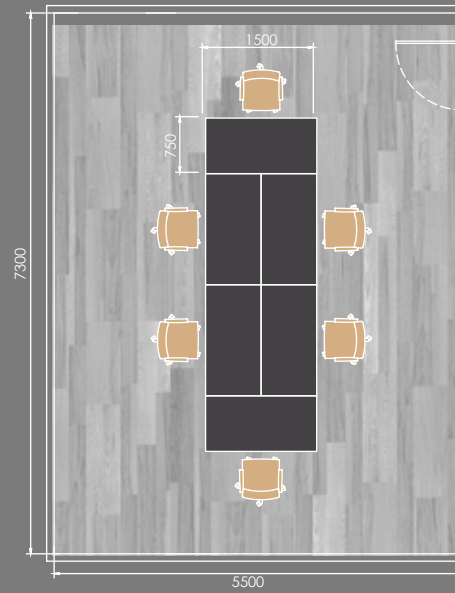
TRAINING/ SEMINAR ROOM



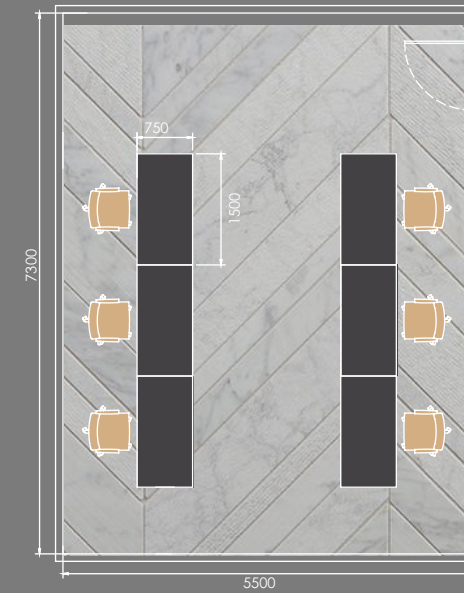
DISCUSSION ROOM



STAFF AREA



DEBATE STYLE



TRAINING TABLE

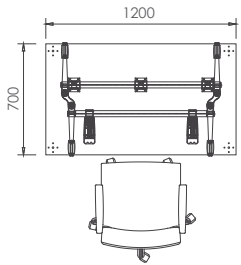
IF-foldable comes with folding and nesting function that could easily turn a multipurpose hall to a training room, meeting room or conference room. The tabletop can be folded up vertically, allowing the tables to stack together for compact storage.

Worktop Colour : Vermont Ash

Epoxy Colour : White & Black

Chair : Xera

Dimension:



IF-FOLDABLE | 03



Other Configurations:





SEMINAR TABLE

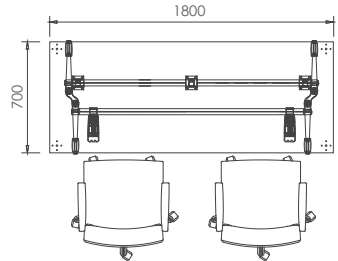
IF-foldable is a modular folding table that can be freestanding or linked together to address all seminar room needs. The tables can be aligned by linking devices for different table configurations that fit your purpose.

Worktop Colour : Ivory Maple

Epoxy Colour : Black

Chair Model : Xera

Dimension:



Other Configurations:



MEETING TABLE

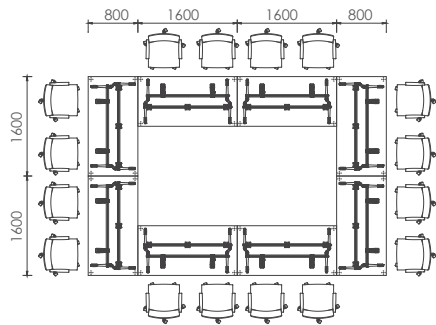
IF-foldable is a linkable table system which can be positioned individually or linked with each other, transforming conference table into different shapes such as hollow and U-shaped for different meeting types.

Worktop Colour : Ivory Maple

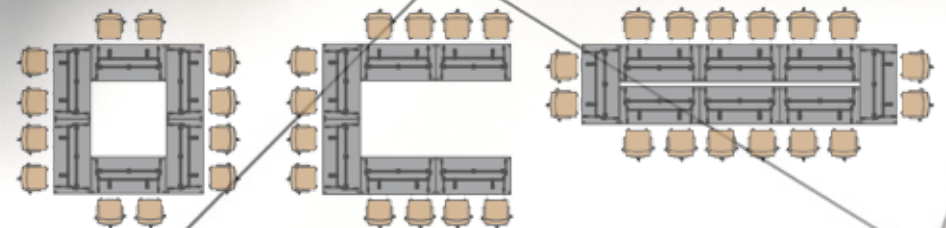
Epoxy Colour : White

Chair Model : Supremo

Dimension:



Other Configurations:





DISCUSSION TABLE

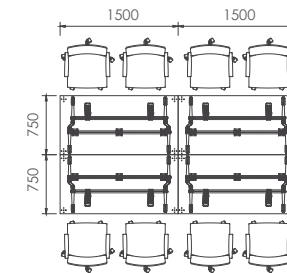
Mobile IF-foldable tables easily transformed a room into a place suitable for various discussions of different group sizes. It provides maximum flexibility by combining single tables into various linked configurations to encourage active communications, accelerating completion of task and resulting in exceptional outcome.

Worktop Colour : Snow White

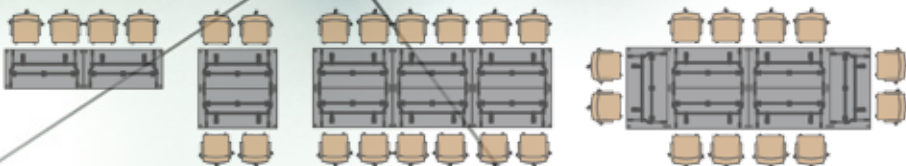
Epoxy Colour : Champagne

Chair : Jazz

Dimension:

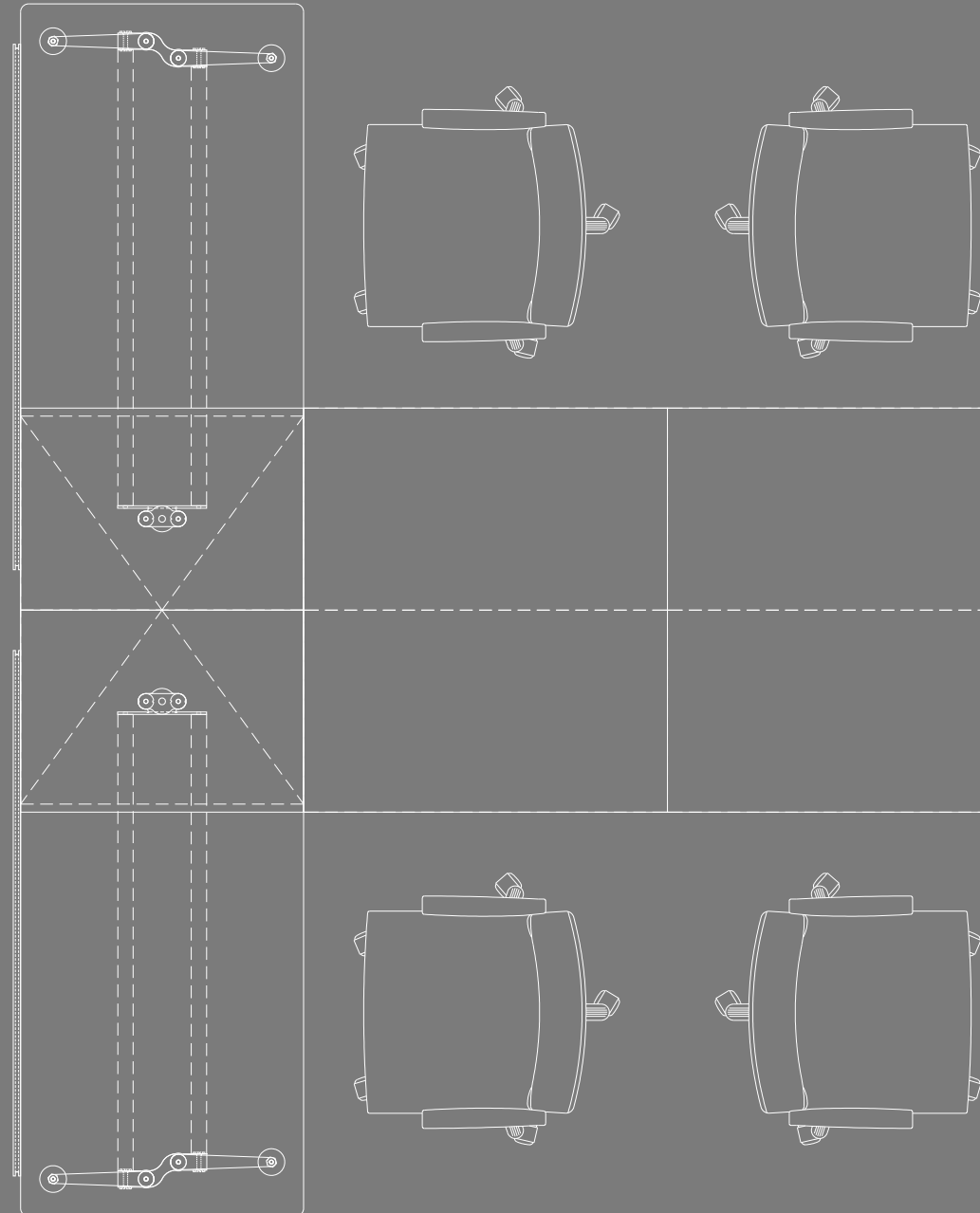


Other Configurations:



IF-CLUSTER

IF-cluster is an organized workplace for all users where storages are leveled up with matching IF base, creating a floating effect of the system.





STAFF *WORKSTATION*

IF-cluster is designed to manage and utilize the workspaces. The perpendicular storage unit between workstations provides storage solution and creates boundary of shared work area.

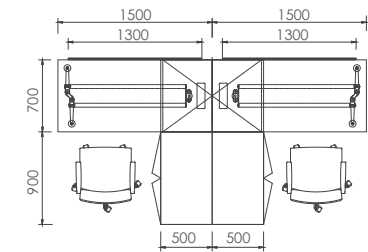
Worktop Colour : Murnau Maple

Epoxy Colour : Black

Fabric Colour : Morton 9338 Summer Lime

Chair : Xenic

Dimension:



Other Configurations:

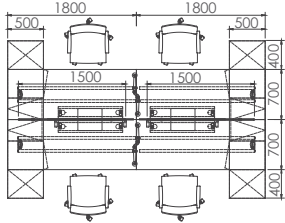


STAFF WORKSTATION

A simple worktop with necessary tools increases the performance of daily task for both individual and group work. IF-cluster is designed with simple components, and completed with privacy panel and side return cabinet to cater your daily office needs.

- Worktop Colour** : Olive Ash
- Epoxy Colour** : White
- Fabric Colour** : Morton 9282 Pool Blue
- Chair Model** : Innove

Dimension:



Other Configurations:





EXECUTIVE WORKSTATION

In addition to exceptional functionality required by executive office, the furniture must also be representative without negligence. IF-cluster with contemporary design creates an elegance look and expresses the corporate culture and executive's personal style.

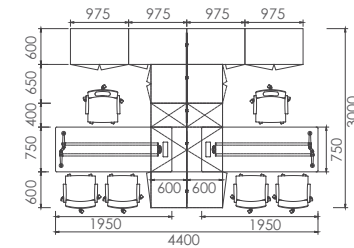
Worktop Colour : Snow White

Epoxy Colour : Black & Silver Matt

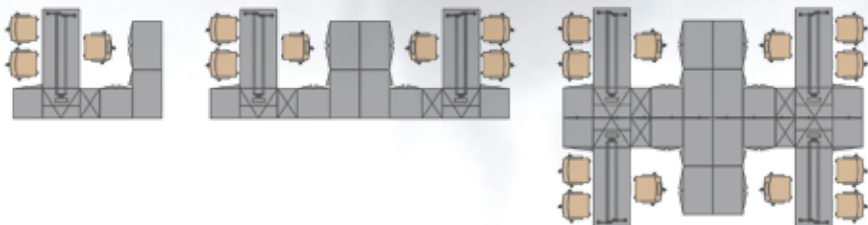
Fabric Colour : Galaxy II GA023 Steel

Chair : Xenic

Dimension:

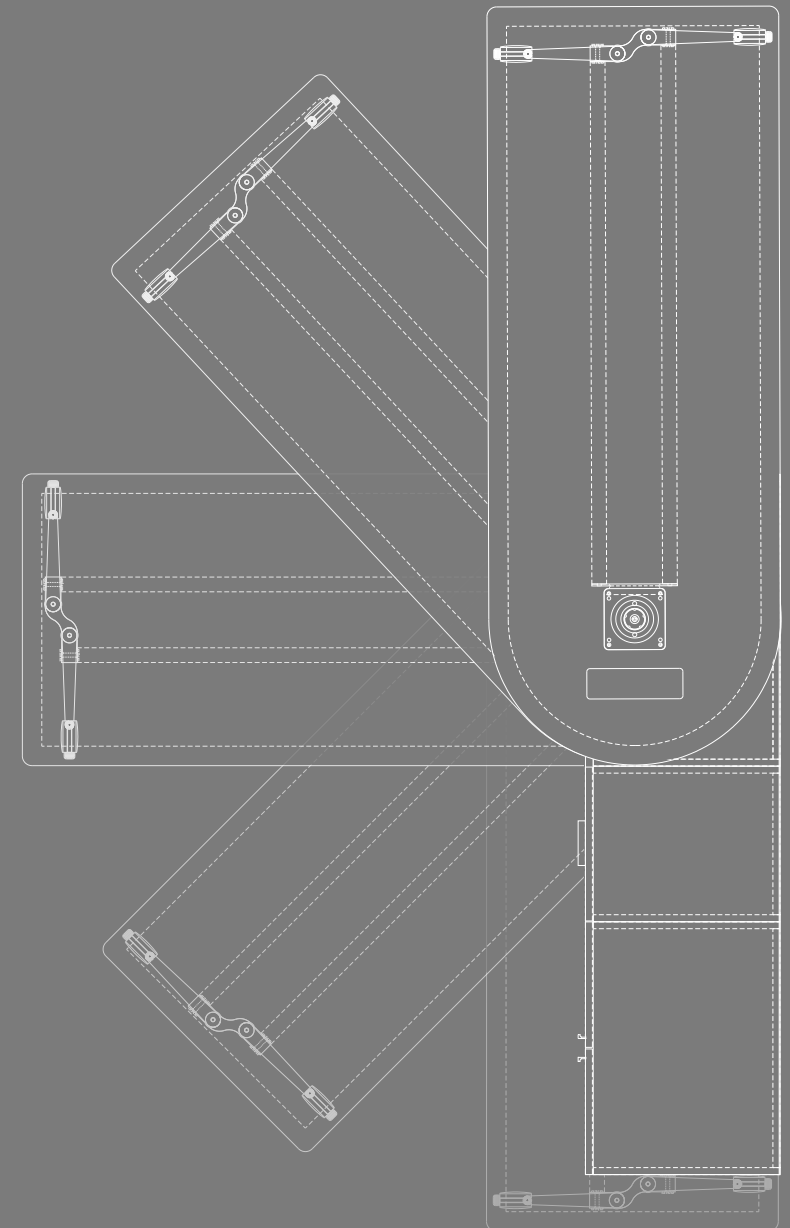


Other Configurations:



IF-REVOLVING

IF-revolving workstation is presented with bullet-shaped table, completed with IF leg in castors, which are connected with a revolving mechanism to allow table to rotate 180 degree. A row of low cabinets structured a rigid base for workstation, turning a cluster of workstation into various configurations. It is ideal for small office or home office, where space-saving and aesthetic are the top priority.





EXECUTIVE *WORKSTATION*

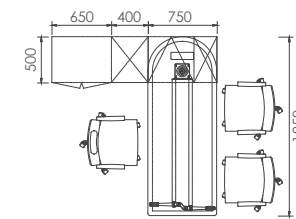
Simple yet functional design helps to clear your mind while accomplishing heavy tasks, management and decisions. Proper storage space and intelligent wire management of the system provide a well-managed workspace, preparing you for a greater challenge.

Worktop Colour : Olive Ash

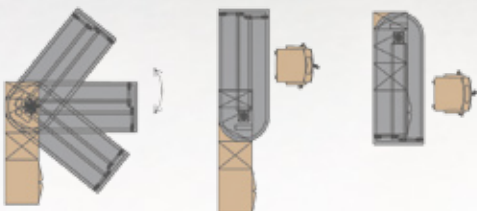
Epoxy Colour : White

Chair : Supremo

Dimension:



Other Configurations:



EXECUTIVE WORKSTATION

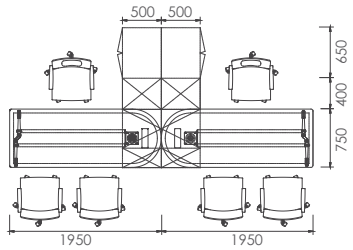
Working desk is crucial for both work efficiency and productivity. IF-revolving in L-shaped cluster and minimal panel encourages communication among workforce. This creates more possibilities for office needs.

Worktop Colour : Marinus Walnut

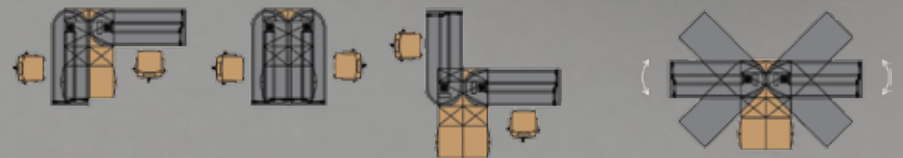
Epoxy Colour : Champagne

Chair Model : Supremo

Dimension:



Other Configurations:





STAFF WORKSTATION

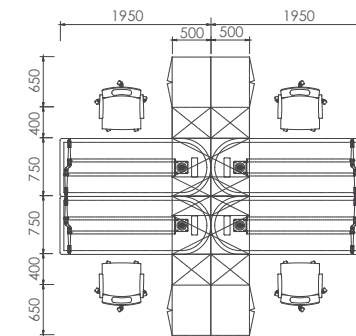
IF-revolving system is versatile furniture which entails no-frills design on the unique mechanism in the base underlines the IF's innovative character. IF-revolving has mastered the knowledge of R&D and experience acquired during the furniture design. It eases the needs of your work desk, and can be space savvy as well.

Worktop Colour : American White Ash

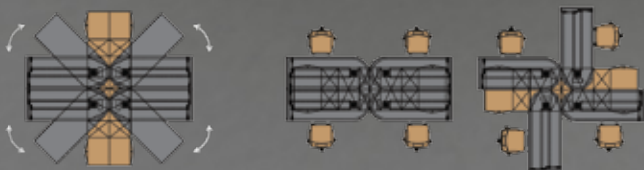
Epoxy Colour : Silver Matt

Chair : Desiree

Dimension:

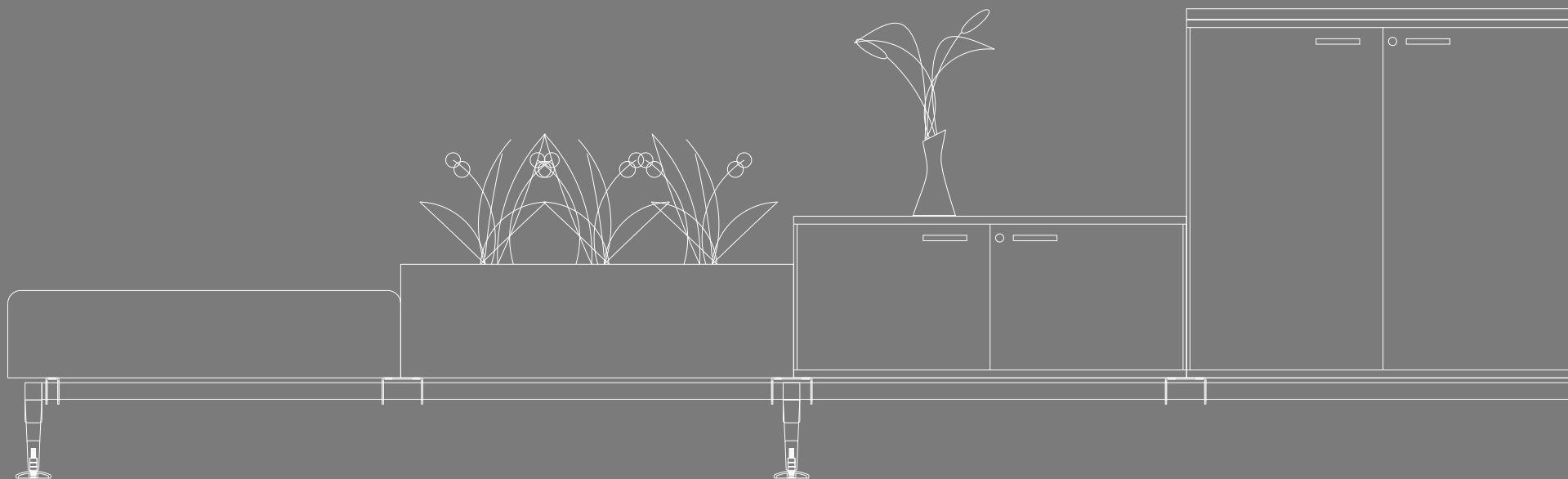


Other Configurations:



IF-BENCH

IF-bench combines the elegant and ergonomic functionality of a seating and storing element with matching IF leg, perfect the office waiting area.





WAITING AREA

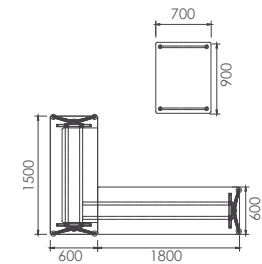
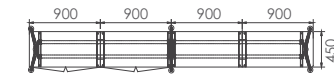
IF-bench ideally rises from floor to allow cleaning process and the seating base is made of aluminium. It provides practical configuration and contemporary design to fit in front office space.

Cabinet Colour : Olive Ash

Epoxy Colour : White

Seating : Excella Exl.161 Mercury

Dimension:



Other Configurations:



BREAKOUT AREA

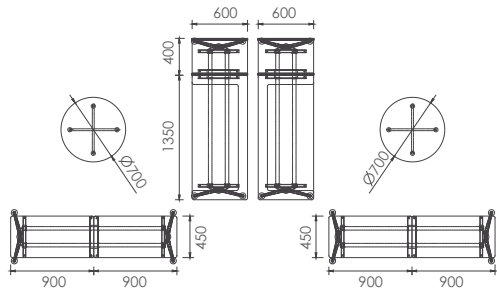
IF-bench is great for entryway or lobby where larger seating options are impractical. It comes with modular design that can be reconfigured in various ways.

Cabinet Colour : Olive Ash

Epoxy Colour : White

Seating : Excella Exl.161 Martique

Dimension:



Other Configurations:





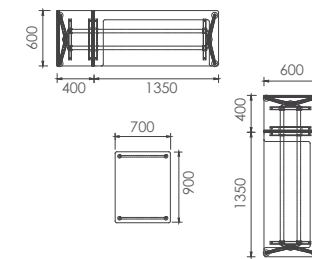
RECEPTION AREA

IF-bench and cabinet configure in modular units create endless variety of configurations to meet multiple requirements. This IF base comes with comfortable cushion which acts as unique bench that is suitable to use as front desk seating to welcome guests and visitors.

Epoxy Colour : Champagne

Seating : Vertex 1818-07 Scuba
Vertex 1818-29 Taboo

Dimension:



Other Configurations:



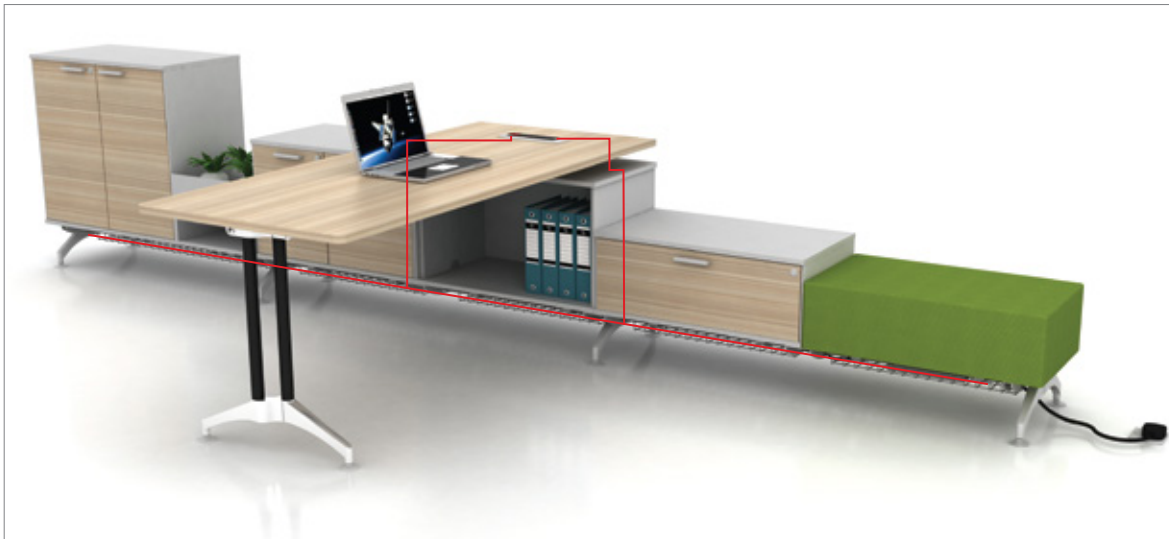
WIRE MANAGEMENT

It is hassle free to power-up an IF System. Under cabinets and desk wire trays help to route power and data up to worksurface for user to access electrical devices easily. Power points are within reach of users.



WIRE MANAGEMENT FOR IF-CLUSTER

Cables are conveyed along a hidden wire tray underneath cabinet and rise vertically within side panel.



WIRE MANAGEMENT FOR IF-FOLDABLE

Wire tray is well placed below the table top offers convenient access to power, voice and data.



WIRE TRAY



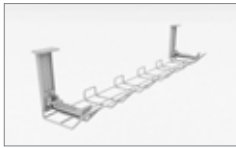
Single metal wire tray



Double metal wire tray



IF basket wire tray



Single basket wire tray



Single aluminium wire tray



IF metal wire tray

FLIP UP DOOR



Aluminium flip up door



Aluminium flip up door with press button

POWER NETBOX



Netbox Line



Netbox Turnable

WIRE RISER



Metal wire riser (attach to top)



Metal wire riser (attach to table leg)



Wire conduit

TECHNICAL GUIDE

TYPE A - CURVE CONNECTOR



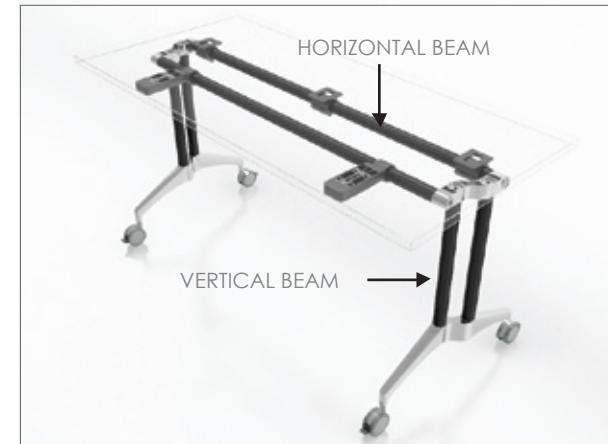
Designed specially for foldable tables. Curve connectors are joined with the bases, allowing tables to be nested neatly.

TYPE B - STRAIGHT CONNECTOR



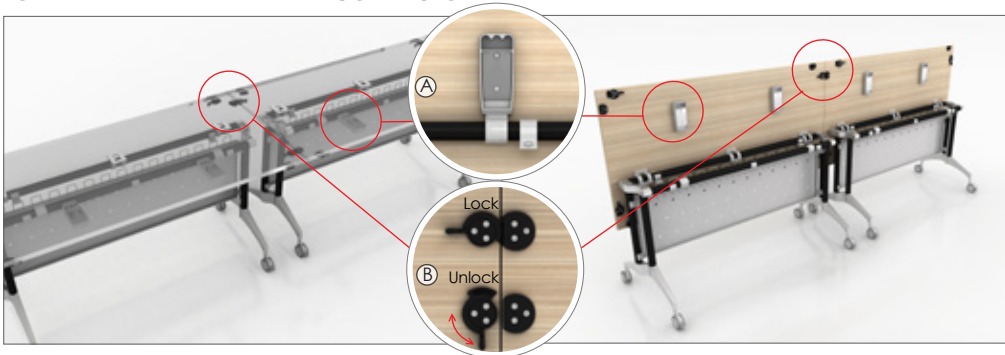
Bases are joined with straight connector allowing the base to join in different angle supporting different width tabletops or storages.

STRUCTURE



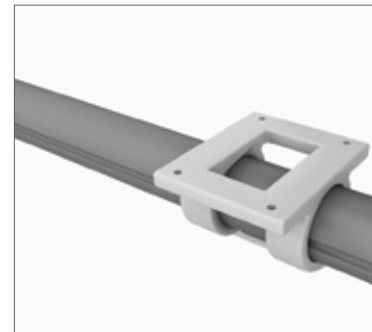
IF with aluminium die-cast base and extrusion for vertical and horizontal beam forming a rigid structure for desk and storages, maximized workstation configuration to suit user needs.

FOLDABLE TABLE HANDLE AND CONNECTOR



A. Foldable table comes with user friendly handle to release the mechanism for folding/unfolding tabletop.
B. IF table connector connects two mobile tables together. It is made with ABS material to avoid sharp edge.

TABLE HOLDER



Plastic injection table holder supports the table beam rigidly.

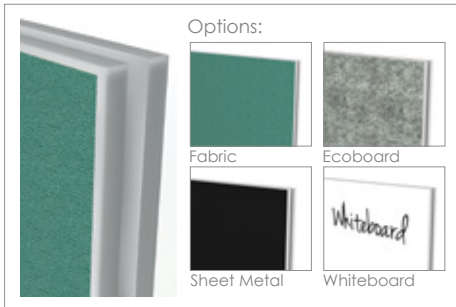
BEAM TO BEAM CONNECTORS



Connect one beam to another in 90 degree and maximise the workstation configuration.

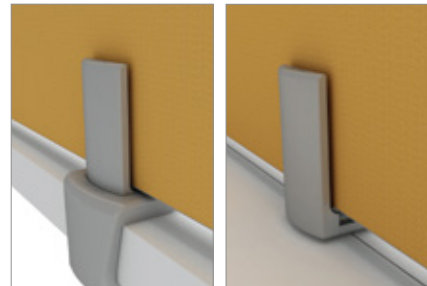
DETAILS

IF PANEL



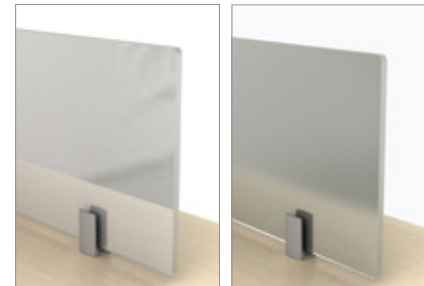
- IF panel is a slim 18 mm panel with aluminium extrusion frame.
- IF panel upholstery options: fabric, ecoboard, sheet metal and whiteboard.
- It can act as table screen, mounts on table top or as hanging screen, hangs on table edge.

TABLE SCREEN BRACKET



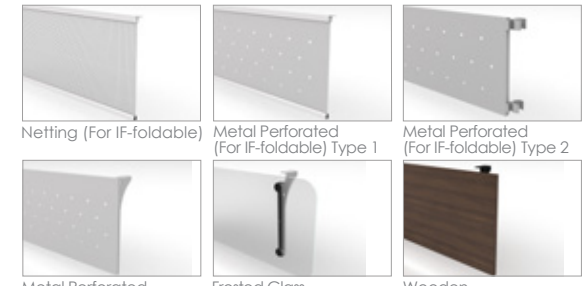
- End Table Screen Bracket
- Sharing Screen Bracket
- To hold IF table screen on the edge of table top
- To hold IF table screen on sharing of table top

GLASS DIVIDER SCREEN



- Clear Glass Screen
- Frosted Glass Screen
- A 8 mm thickness laminated glass screen, available in clear or frosted glass.

IF MODESTY



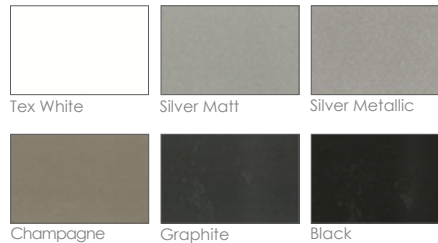
- Netting (For IF-foldable)
- Metal Perforated (For IF-foldable) Type 1
- Metal Perforated (For IF-foldable) Type 2
- Metal Perforated (For IF-cluster)
- Frosted Glass (For IF-cluster)
- Wooden (For IF-cluster)
- A modesty panel is designed to conceal one's legs when seated and possess beauty.
- It is available in a range of different sizes, depending on the table shape, size and the extent of concealment required.
- Modesty panel options: Netting, metal perforated, frosted glass and wooden.

IF BASE



- Chrome finish
- Epoxy finish
- IF base is available in 2 finishes, chrome and epoxy according to user preferences.

EPOXY COLOUR



- All leg structures and panel frames come with epoxy coating to protect the structure from rusting and give a clear and glossy look.
- Epoxy colour options: Tex white, silver matt, silver metallic, champagne, graphite and black.

WORKSURFACE



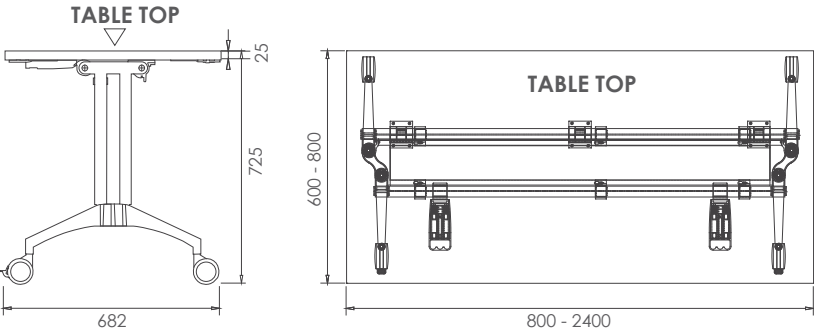
- Available worksurface options: MFC, HPL and high gloss.
- Available worksurface edging options: flat and reverse chamfered.



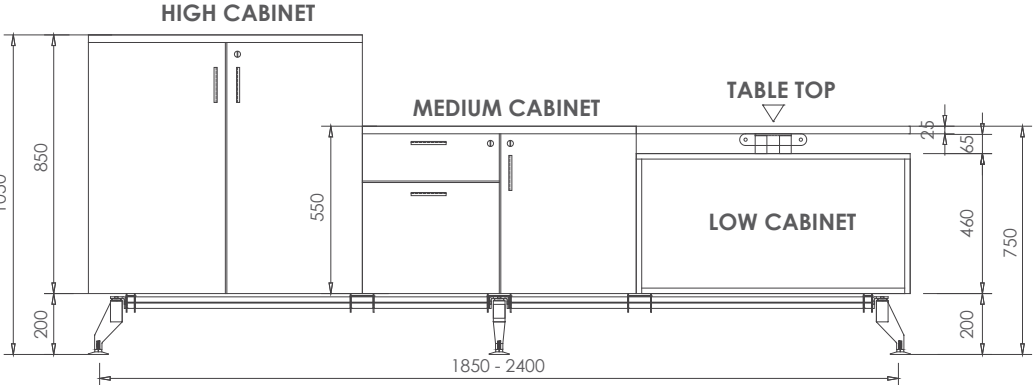
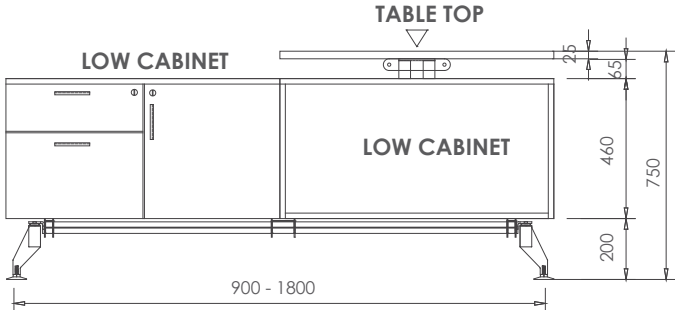
Disclaimer: 1. All images are for illustration purposes only.
2. Colour shown may not be an accurate representation of the actual colour, please refer to actual colour samples for final confirmation.

STANDARD DIMENSION

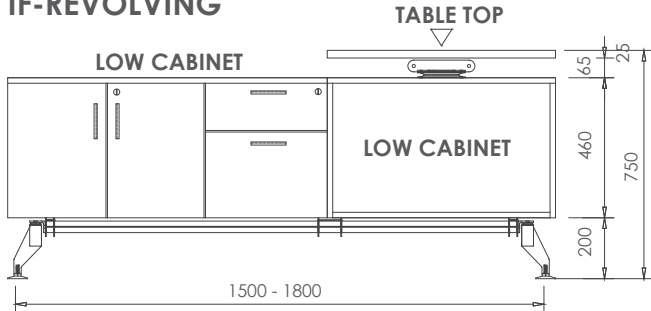
IF-FOLDABLE



IF-CLUSTER

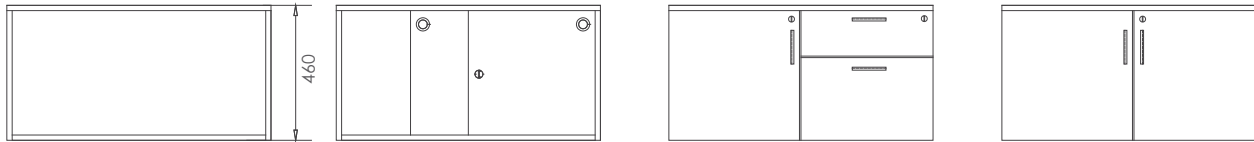


IF-REVOLVING

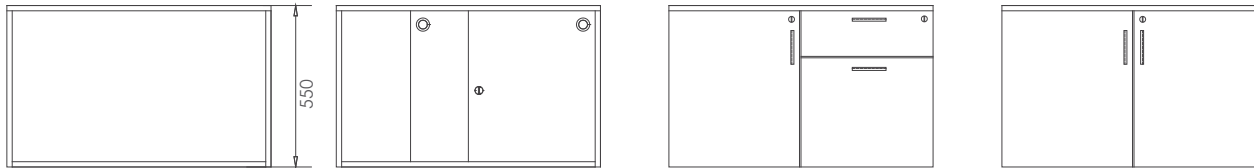


CABINET TYPE

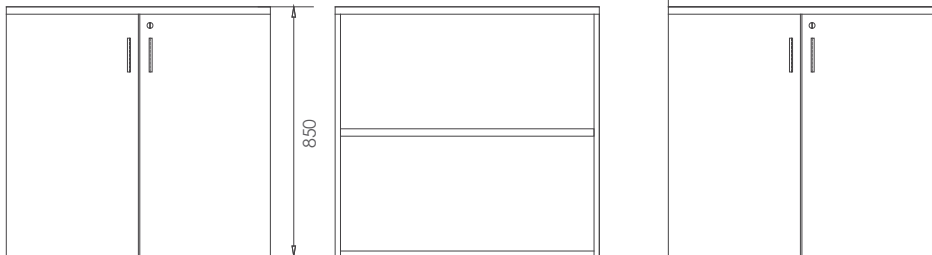
LOW CABINET



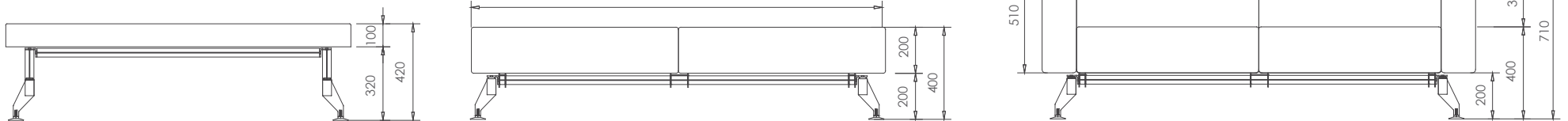
MEDIUM CABINET



HIGH CABINET




IF-BENCH



CERTIFICATES

FIRA CERTIFICATE

ZERTIFIKAT ♦ CERTIFICATE ♦ CERTIFICADO ♦ CERTIFICAT ♦ CERTIFICAT



TUV
SUD
PSB Singapore

TEST CERTIFICATE

This Certificate is issued to
Artmatrix Technology Sdn Bhd
 Lot 32789, Jalan 5/1A,
 Taman Perindustrian Selesa Jaya,
 43300 Balakong, Selangor Darul Ehsan,
 Malaysia.

FOR

Product: Foldable Desking System

Brand/Model: ARTMATRIX - IF

Specification: ANSI/BIFMA X5.5-2014

Test Report: 7191156271-EEC-17/01-CSL

Date of Test Report: 20 Apr 2017

Summary

A sample of product submitted was tested and was found to comply with the test requirements of the above standard(s).


Mie

TUV SUD PSB Pte Ltd

Certificate No:	Date of Original Issue:	Date of Last Revision:	Date of Expiry:
03741	11/07/2017	-	10/07/2019

This Certificate is part of a full report and should be read in conjunction with it. This Certificate remains the property of TUV SUD PSB Pte Ltd and shall be returned upon request. The use of this Certificate is subjected to the terms and conditions of the Test Certification Scheme.
 Note: This Certificate is issued pursuant to the terms set out overleaf.

TUV SUD PSB Pte Ltd • 1 Science Park Drive, Singapore 11821



GECA CERTIFICATE

GECA

Good Environmental
Choice Australia
Licence

GECA (Good Environmental Choice Australia) manages a Type 1 Ecolabel program in accordance to ISO 14024 "Environmental Labels and Declarations" and is the owner of the Good Environmental Choice Australia Ecolabel.

The following products and/or services have been granted the use of the ecolabel and have been verified by an independent conformity assessment body that they meet the environmental, health and social/ethical criteria of the GECA standard.

Licence number: ART-2017

Issued to: Artmatrix Technology Sdn Bhd

Issue date: 17 August 2017

Licencee since: 04 March 2011

Certified products:

I-Mods (ECO) Desking System	IF (ECO) Intelligent Folding Table
Simplex (ECO) Monolith Panel System	I-Beam (ECO) Desking System
Tu-X Plus (ECO) Monolith Panel System	E-Grids (ECO) Desking System
Trends Pro (ECO) Desking System	Kensu Chair
	Kensu Chair Range

GECA standard: GECA FFFM3.0-2017 Furniture, Filings, Floor & Mattresses

Address of head office: Lot 32789, Jalan 5/1A Taman Perindustrian Selesa Jaya, Malaysia

Conformance assessment by: GSI

Licence expiry date: 4 July 2020

Kate Harris

Kate Harris
Chief Executive Officer

Suite 501, 15 Belvoir Street,
Surry Hills NSW 2010
P: +612 9699 2850
ABN: 27 150 746 153




CERTIFIED

Our mission is to drive sustainable consumption & production.

MY HIJAU CERTIFICATE




This is to certify that

ARTMATRIX TECHNOLOGY SDN. BHD. (0901843-X)

Lot 32789, Jalan 5/1a
Taman Perindustrian Selesa Jaya
43300 Balakong
Selangor

has the rights to use the MyHIJAU Mark label on the following item:

Item's Name :	IF (ECO) Intelligent Folding Table
Brand :	ARTMATRIX
Model :	ECO Series
Sector :	Building
Compliance :	Environmental Choice Australia Ecolabel

Certificate no. :	MyHPB 00086/15
Issue date :	1 July 2015
Expiry date :	4 March 2017



Malaysian Green Technology Corporation
50227-0

86-2, Jalan 1/10, Residensi Dataran
Banyan 4, 43800 Bandar Baru Bangi
Selangor Darul Ehsan
Malaysia

T: +60-8921 0800
F: +60-8921 0811

www.greenchoiceaustralia.com
www.greentechmalaysia.com

AHMAD HADRI HARI

IR. AHMAD HADRI HARI
Chief Executive Officer
Malaysian Green Technology Corporation

This Certificate is granted subject to the Terms and Condition of usage of MyHIJAU Mark certificate and label.

Printed on FSC® Certified paper



PROJECT REFERENCES



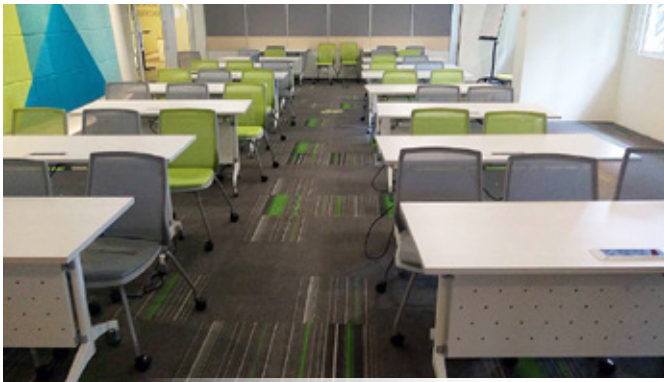
NETKA SYSTEM, THAILAND



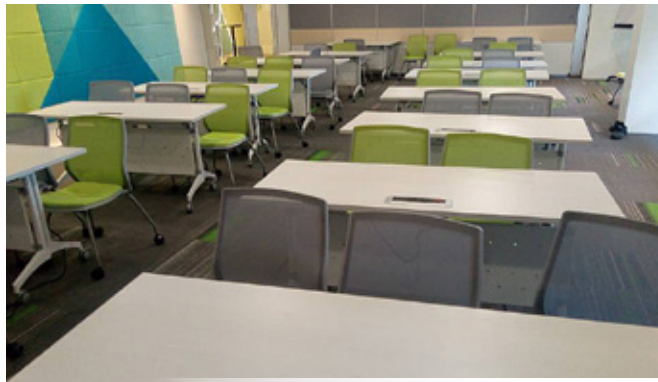
NETKA SYSTEM, THAILAND



NETKA SYSTEM, THAILAND



COLGATE PALMOLIVE, MALAYSIA



COLGATE PALMOLIVE, MALAYSIA



PERODUA, MALAYSIA



PERODUA, MALAYSIA



PERODUA, MALAYSIA



PERODUA, MALAYSIA

MALAYSIA

ABB Malaysia Sdn Bhd
 AbbVie Sdn Bhd
 Advantech CO. Malaysia Sdn Bhd
 AECOM Perunding Sdn Bhd
 Affin Bank Berhad
 Agoda International (M) Sdn Bhd
 Agro Bank Berhad
 AIA Shared Services Sdn Bhd
 Aker Engineering Malaysia Sdn Bhd
 Alam Swiber Offshore (M) Sdn Bhd
 Al-Madinah International University
 Alliance Bank Malaysia Berhad
 Allianz Malaysia Berhad (HQ), KL Sentral
 AMP Corporation (M) Sdn Bhd
 Apex Investment Services Berhad
 Applied Integrators Sdn Bhd
 Arvato Systems Malaysia Sdn Bhd
 Ar-RahnuYaPEIM
 Arup Jururunding Sdn Bhd
 Atos Origin Services (M) Sdn Bhd
 Australian High Commission
 Axon Solutions Sdn Bhd
 Bae Systems
 Bae Detica Malaysia
 Bank Islam Malaysia Berhad
 Bank Pembangunan Malaysia Berhad
 Bukit Bintang City Centre (BBCC)
 SME Bank
 Bank Muamalat Malaysia Berhad - Sabah
 Bank Kerjasama Rakyat Malaysia Berhad
 BHP Billiton Shared Services Sdn Bhd
 Binastra Construction Sdn Bhd
 Blackmores (Malaysia) Sdn Bhd
 BMW Malaysia Sdn Bhd
 Bosch
 British International School, KL
 Bursa Malaysia Berhad
 Carigali Hess Operating Company Sdn Bhd
 Carlsberg Brewery Malaysia Berhad
 CCM Chemicals Sdn Bhd
 CIMB Bank Berhad
 C.I.S Network Sdn Bhd
 Citizen Sales & Gallery
 Cochlear Malaysia Sdn Bhd
 CROPS for the Future Research Centre
 Damansara Realty Berhad
 Danajamin Nasional Berhad
 DATAFM Sdn Bhd
 Deleum Berhad
 Deloitte Malaysia
 Dewan Bandaraya Kuala Lumpur (DBKL)
 Dialog Group Berhad
 DKLS Equity Sdn Bhd
 DNP Property Management Sdn Bhd
 Dutch Lady Milk Industries Berhad
 DVM Innovate Sdn Bhd
 EC Harris
 Eco Majestic Sdn Bhd

Eco Meridian Sdn Bhd
 Eco Tropics Development Sdn Bhd
 EcoWorld International Centre
 Elken Service Sdn Bhd
 Electrolux Home
 Elegant Aura (M) Sdn Bhd
 EPF Learning Centre
 EUPE Kemajuan Sdn Bhd
 Exact Asia Development Centre Sdn Bhd
 Expedia, KL
 Export-Import Bank of Malaysia Berhad (EXIM Bank)
 Fonterra Brands (M) Sdn Bhd
 Fresenius Medical Care (M) Sdn Bhd
 F & N Dairies (M) Sdn Bhd
 General Electric International Inc.
 Getha Bedding (M) Sdn Bhd
 Gleneagles Kota Kinabalu Sabah
 Great Eastern Life Assurance (Malaysia) Berhad
 Halal Industry Development Corp Sdn Bhd
 Hawkeye International Sdn Bhd
 Hitachi Data Systems Sdn Bhd
 Hong Leong Bank Berhad
 Honda Malaysia Sdn Bhd
 HSBC Electronic Data Processing (M) Sdn Bhd
 HSBC Global Resourcing (UK) Limited
 Huawei Technologies (M) Sdn Bhd
 Inti International Education Sdn Bhd
 Islamic Development Bank
 Istana Negara – Guest House
 Jabatan Kebudayaan dan Kesenian Negara
 Jabatan Kerja Raya Sarawak – Kuching
 Johnson & Johnson Medical Manufacturing Sdn Bhd
 Kellogg Asia Marketing Inc
 Kenanga Investment Bank Berhad
 Komatsu Asia & Pacific Pte Ltd
 Kompleks Kementerian Dalam Negeri, WPKL
 KPJ Healthcare Sdn Bhd
 Lembaga Hasil Dalam Negeri, Terengganu
 Lembaga Tabung Haji
 Lembaga Zakat Selangor
 Lubricant Business Division, PETRONAS Dagangan Bhd
 Majlis Sukan Negara
 Malaysia LNG Sdn Bhd – Bintulu
 Malaysian Agrifood Corporation Berhad (MAFC)
 Malaysian Communications & Multimedia Commission
 Malaysian Technology Development Corporation
 Mayban Fortis Holdings Berhad
 Malakoff Corporation Berhad
 Megapower
 Measat Broadcast Network System Sdn bhd
 MMC-Gamuda Joint Venture Sdn Bhd
 MNRB Holdings Berhad
 Monash Universiti Malaysia Sdn Bhd
 Nando's Chicken Office
 Naza Motor Trading Sdn Bhd
 Newcastle University
 NUMed Malaysia
 Nomad Space Sdn Bhd
 OBYU Holdings Sdn Bhd

OPPO Global Call Centre
 Padiberas NasionalBerhad (BERNAS)
 Pejabat PTPTN CawanganMenara Park
 PerbadananHartaIntelek Malaysia (MyIPO)
 PerbadananUsahawanNasionalBerhad (PUNB)
 Perodua Sales Sdn Bhd
 Perwaja Steel Sdn Bhd
 Petrofac Malaysia – KLCC
 PetronasCarigali Sdn Bhd – KLCC
 Petronas Gas Berhad – Kertih
 Petronas Methanol (Labuan) Sdn Bhd
 Petronas Penapisan (Melaka) Sdn Bhd
 Petra Energy Berhad
 PharamaniagaLifescience Sdn Bhd
 Port Klang Free Zone Sdn Bhd
 POS Malaysia Berhad
 PPB Oil Palms Berhad
 Progressive Insurance Berhad
 Private Pension Administrator Malaysia
 PuncakNiaga Holdings Berhad
 Putrajaya 5G2
 -Ministry of Higher Education Malaysia
 -Ministry of Tourism Malaysia
 Putrajaya 4G8
 – Ministry of Rural & Regional Development
 Putrajaya 4G9
 – Ministry of Information, Communication & Culture
 Putrajaya 4G10
 – Ministry of Housing & Local Government
 Royal Embassy of Saudi Arabia
 Sarawak General Hospital
 Securities Commission Malaysia
 Schlumberger Wellog Sdn Bhd
 * Siemens Malaysia Sdn Bhd
 Singapore Airlines Ltd
 SIRIM Berhad
 SME Corporation Malaysia
 Sony (M) Sdn Bhd
 Sunway Group
 Sutherland Global Services
 Syarikat Bekalan Air Selangor Sdn Bhd (SYABAS)
 Tabung Haji HQ
 Talent2 Malaysia Sdn Bhd
 Talent Corporation Malaysia
 Tesco Stores (M) Sdn Bhd
 The University of Nottingham Malaysia
 TNT Express Worldwide (M) Sdn BhdTouch 'n Go Sdn Bhd
 Toyota 3E, Sibul
 Tradewinds (M) Bhd
 TSR Capital Berhad
 TWI Technology Sdn Bhd
 * Uber Malaysia Sdn Bhd
 University of Reading Malaysia, Johor
 Universiti Teknologi MARA (UiTM), Sabah
 Universiti Teknologi Malaysia-Skudai
 University Teknologi Petronas (Tronoh, Perak)
 UMW Corporation Sdn Bhd
 UM Land Builders Sdn Bhd
 UniKI MITEC

Universiti Teknologi Malaysia (UTM)
 UOB Kay Hian Securities (M) Sdn Bhd
 Valuecap Sdn Bhd
 Volkswagen Group Malaysia Sdn Bhd
 Walton International Property Group (M) Sdn Bhd
 Warner Music Sdn Bhd
 Yinson Holdings Berhad
 YTY Industry Sdn Bhd
 Zuellig Pharma Sdn Bhd
 * Zurich Insurance Malaysia Berhad

AUSTRALIA

Commonwealth Bank of Australia
 Regus, Adelaide
 Stevens Commercial Furniture

BAHRAIN

Collage Consultants Wll

BRUNEI

Brunei Petroleum
 Malar Setia Sdn Bhd
 Ministry of Foreign Affairs and Trade
 Ministry of Education
 Ministry of Defence
 Ministry of Culture, Youth & Sports

CAMBODIA

Ramatex Holdings Bhd, Phnom Phen
 * CIMB Bank

CANADA

Distrimar Inc

INDIA

3i Infotech Ltd
 Aker Powergas Pvt Ltd
 Alstom India Ltd
 Bajaj Allianz
 Black & Veatch Consulting Pvt Ltd
 BSE Ltd
 Capgemini Hyderabad
 CBRE, Pune
 Citrix R & D India Pvt Ltd
 Cognizant Technology Solutions (CTS)
 DCB Bank
 Deloitte Communication Gym, Hyderabad
 Deloitte Consulting India Pvt Ltd
 DHL Express (India) Pvt Ltd, Mumbai
 DTDC, India
 Elkem India Pvt Ltd
 Enpro
 Esskay MEP Consultants (India)
 Financial Technologies (India) Ltd
 Fullerton Credit Company Ltd

GE, Windsor BKC
GenesysWorldcye Ltd, Mumbai
Glaze Granite Ltd
Global eProcure
Goldstar
Hexaware Campus, Chennai
HITOS
HSBC
iGate Clinical Research International Pvt Ltd
ITB Software Service Ltd
Ichibaan Honda Automobiles Pvt Ltd
ICICI Bank
Incubation Centre, Pune
Jardine Lloyd Thompson India Pvt Ltd
JP Morgan & Co. Inc
Jyothy Structures Ltd, Andheri West
KPII Technologies Limited
Larsen and Toubro Ltd
L'oreal India Pvt Ltd
Lupin Ltd
Marathon Maxima
Mashreq Bank
Mastek Ltd
Max 90A Gurgaon
Max Life Insurance Co. Ltd
McKinsey Knowledge Centre India Pvt Ltd
Mirae Asset global Investments Pvt Ltd, Chennai
Morgan Stanley Capital International (MSCI) Barra
N.Y.K. Logistics India Ltd, Andheri
NCR Teradata, Pune
ONGC Mangalore Petrochemicals Ltd (OMPL)
Paternoster India Pvt Ltd
Patni Computer Systems Ltd
Praxis i-Technologies Pvt Ltd
Prime Technology Group, Hyderabad
Regus India
Reliance – New Delhi
Saraswat Co-operative Bank Ltd, Mumbai
Searland Management Services (India) Pvt Ltd
Sify Technologies Ltd, Chennai
State Street Bank
Sundaram BNP Paribas Fund Services Ltd
Syntel India Ltd
Tata Consultancy Services Ltd
Tata Motors Ltd
Tata Motors Finance Ltd
Tata Capital Limited (TCL), Mumbai
Thermax Ltd, Pune
TNS India Private Ltd
Transocean House
Uhde India Ltd
Unisource India
Vodafone India Services Pvt Ltd
Wirtgen India
WNS Global Services Pvt Ltd

INDONESIA

Astra International
Bank Saudara

Barclays Bank
CIMB Bank
Generali
Mandiri Sekuritas
MNC (Media Nusantara Citra)
Panin Bank
PT Pamapersada
Telesindo

MAURITIUS

Arup Sigma Ltd
CMA – CGM
Euro CRM Mauritius Ltd
Maurice Publicité
POS
SAB Miller
Holiday Inn Airport Hotel

MYANMAR

Mingalarzay Office
ShweTaung Cement Co. Ltd

QATAR

Allianz Worldwide Care, Saudi Arabia
ICICI Bank, Doha
Qatar Petroleum International Ltd

SINGAPORE

Baker & McKenzie.Wong & Leow
Bank of China
* Boeing Asia Pacific Aviation Services Pte Ltd
BNP Paribas Private Bank
CET Campus East
CET Campus West
* Changi Airport Group (S) Pte Ltd
Credit Agricole Corporate & Investment Bank
Crimson Logic Pte Ltd
Cummins Corporate Office
Cummins Diesel Sales Corporation
Cummins Engine (S) Pte Ltd
Cummins Power Generation (S) Pte Ltd
Ez-link Pte Ltd
Gammon Pte Ltd
Goodrich Aerostructures Service Center Asia Pte Ltd
* Government of Singapore Investment Corporation Pte Ltd
Great Eastern Life Assurance Co. Ltd
Holiday Inn Park View Hotel Singapore
John Willies & Sons
Kalla Group
Knight Frank Pte Ltd
* LF Logistic (S) Ltd
Luxasia Pte Ltd
National Cancer Centre Singapore
National Computer Systems Pte Ltd
National Library

National University of Singapore
Nestle
Samsung
Savi Technology Asia Pte Ltd
Schaefer Systems International Pte Ltd
Schroder Investment Management (S) Ltd
Sembawang Corporation
Sembawang Engineers & Constructors Pte Ltd
Singapore Economic Development Board
Singapore Press Holdings Ltd
Straco Corporation Ltd
Sumifru Singapore Pte Ltd
Sungard
The National Library Board, Library Supply Centre
Toshiba
Total Oil Asia-Pacific Pte Ltd
Universal Terminal (S) Pte Ltd
UOB Life Assurance Ltd

TANZANIA

Mingalink Travel & Tours Ltd
The Living Room Ltd

THAILAND

Ajinomoto Co.,Ltd
Alpha Group Co., Ltd.
B.B. Battery (Asia) Co., Ltd.
Bangkok Business Media Co., Ltd.
Bangkok New Trend Development Co.,Ltd.
Chanthaburi Ploysanglighting Co.,Ltd.
Chulalongkorn University
Code Master Co.,Ltd.
Dtac
First Chapter Co.,Ltd.
Fuji Xerox (Thailand) Co. Ltd
Generali Insurance (Thailand) Public Co., Ltd.
Generali Life Assurance (Thailand) Public Co., Ltd.
Green Asset Management Co., Ltd.
Huawei Technologies Co. Ltd
Kasetsart University
Millward Brown Firefly Co., Ltd.
Mitsubishi Motor Co.,Ltd
Netka System
Oishi Trading Co.,Ltd.
* Pearl Bangkok
Pcl Holding Co.,Ltd.
Professional Maid Co.,Ltd.
Ptt Energy Solutions
Robert Bosch Co.,Ltd
Sabic Innovative Plastics Co., Ltd.
Saengthai Rubber Co.,Ltd
Sappakit Administration Co.,Ltd.
Siamvarinnitkarn Co.,Ltd.
Sigma Agrochemical Co., Ltd.
Strabag Industries (Thailand) Co.,Ltd.
Taweekun Instructional Media Co.,Ltd.
Terragro Fertilizer Co., Ltd.

Thai Lube Base
Thai Vista Enterprise Co., Ltd.
Thailine Resources Co.,Ltd.
Thammasat University
The American School Of Bangkok
The Nomad Offices, Bangkok
Tron Co.,Ltd
Total Access Communication Public Company Ltd
Use Electronics (Thailand) Co.,Ltd.
Valeo Niles (Thailand) Co. Ltd
V-Intelligence Co.,Ltd.

UAE

Ambiante Interiors LLC
AV Concepts LLC
Alternative Capital Invest (ACI)
Al Faris (Dubai and AbuDubai)
Alstom
Al Tayer Group
Big Yellow Storage
Carrefour, Dubai
DFSA, Dubai
DP World Ltd
Division Nine Interior Design (LLC)
Dubai Islamic Bank
Dubai Municipality (Government of Dubai)
Ducab
Emaar
Empire Aviation Group
Goldline Group
Hamptons
JID Management Consultancy FZ LLC
Kottoor International LLC
Kreol Trading FZCO
Manchester Business School
Matrix Interiors Design LLC
Modelcraft Pty Ltd
Nakheel
PCFC
Premier Real Estate Bureau LLC
Qanat Al Qasba Business Center
Right Angle Media, FZ LLC
S.S. Lootah Group
Sify International
Sika International Ltd
The Independent Tobacco FZCO
Thermax Ltd
Zabeel Contracting Co. LLC

UGANDA

Bidco Uganda Ltd

UKRAINE

CIB Engineering

www.artmatrix.com.my



ARTMATRIX TECHNOLOGY SDN BHD (694144-X)
ARTMATRIX MANUFACTURING SDN BHD (693659-U)
Lot 32789, Jalan 5/1A, Taman Perindustrian Selesa Jaya,
43300 Balakong, Selangor, Malaysia.
☎ +603 8962 2286 📠 +603 8961 8862
✉ sales@artmatrix.com.my
🌐 www.artmatrix.com.my

JAKARTA REPRESENTATIVE OFFICE
28-12, DBS Bank Tower 28 Floor,
Ciputra World One,
Jalan Prof. Dr. Satrio Kav 3-5,
Jakarta 12940, Indonesia.
☎ +62 21 2988 7965 📠 +62 21 2988 8201
✉ jakartaoffice@artmatrix.com.my



KK SHOWROOM
Ground Floor, Block B, Lot 4,
Damai Plaza Phase 3,
Wisma CTF, Jalan Damai,
88300 Kota Kinabalu, Sabah, Malaysia.
☎ +6088 448 355 / 448 655
📠 +6088 448 455

