

I-MODE

Desking System

I-Mode system is an elegance and adaptive solution in workplace. It come with fully aluminium die-cast legs and table beams to configure rigidly as workstations, executive tables, and conference tables.

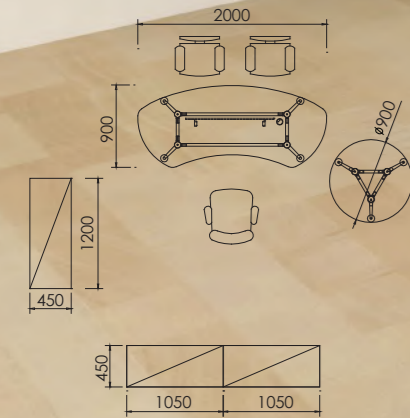


I-Mode

EXECUTIVE DESKING

Pragmatic & Elegant Combination

When the I-Mode leg come with fully chrome finishes integrated with the bean shaped worktop, an elegant and modern executive table is presented. An additional mobile round table, enables people to have a small discussion easily.

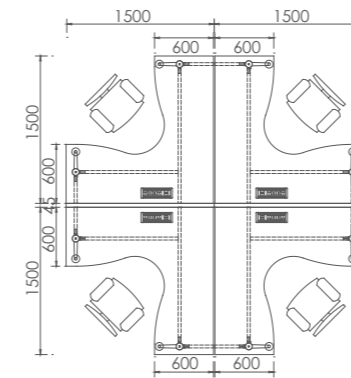


I-Mode

90-DEGREE WORKSTATION

Expansion in Flexibility & Simplicity

Fully aluminium die-cast leg with connectors and cross beam members allow I-Mode System to be rigidly configured as workstation. It also can be used in combination with panels to create versatile landscapes of varied settings.

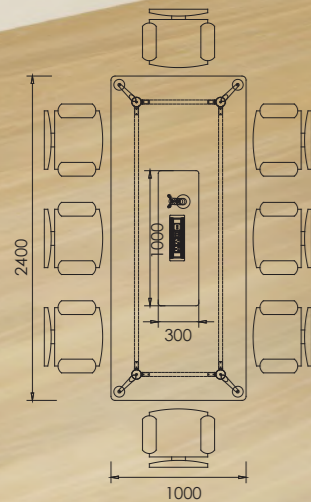


I-Mode

CONFERENCE TABLE

Simple yet Elegant Design

When chrome finishes I-Mode come with tempered glass top, it presents a simple yet elegant meeting table. A netbox on the table top, provides power distribution solutions for people to get the power source.

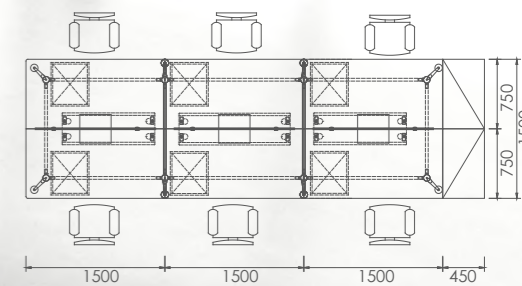


I-Mode

LINEAR WORKSTATION

Sensation of Elegance

I-Mode workbench creates aesthetically sophisticated working environments to accommodate different work styles. In combination with IF table screen I-Mode enhances privacy in workplace. Useful storages solution such as cabinets and mobile pedestals keep necessary work tools close at hand.



I-Mode

**SPACE SAVING
IDEA**

An off module bar allow connection of I-Mode single side leg to panel, offering space saving benefit to complement nowadays workspace requirement.

