



JAZZ
Hue up spaces



Jazz is a multi-purpose chair with the choice of different base options to support collaborative work at training rooms, meeting rooms, waiting rooms, and cafeterias. Its contour perforated polypropylene shell and fabric seat pan supports ergonomic sitting posture and deliver optimum comfort. This simple and clean design creates aesthetic value to the workplace.



The simple and sturdy Jazz chair features a coloured polypropylene shell and fabric seat pan that are attached to steel frame structure. The chair is presented in a wide range of alluring colour combinations, from vibrant to dark element specially for shell and seat pan. This bright and intelligent colours design of Jazz, perfected the dynamic image of workplace.

Jazz collection consists of stacking, nesting, swivel and link models in various smart styles and options to satisfy different needs and occasions. Jazz stacking, nesting, and swivel models are available in diverse configurations with an optional armrest and foldable writing tablet to support various task needs.



JAZZ SWIVEL

OFFICE TASK CHAIR

Jazz Swivel is a chair with height adjustability to ensure comfort for extended work sessions. It is completed with castors nylon base that gives mobility and strengths to the chair, ideal for casual workplace and discussion room.



Armless



Fixed Arm



With Tablet



Jazz Swivel



Jazz chair with integrated pivoting ABS tablet arm features an ample worksurface to support task needs.

JAZZ NESTING

SEMINAR/TRAINING CHAIR

Jazz Nesting can be stacked horizontally by folding up the seat pan. Jazz Nesting on castors design allows it to move around and relocate quickly, especially for seminar rooms and teaming spaces. Its nesting function enables the chair to be set up and instantly stored during conference or training sessions.



Armless



Fixed Arm



With Tablet



The seat and back neatly nest together when not in use.

JAZZ STACKING

CONFERENCE/ CAFETERIA CHAIR

Jazz Stacking is designed to stack vertically. Its simple tubular leg-base structure completed with glides enables the chair to be stacked neatly. Jazz Stacking uncluttered design provides a practical solution for executive meeting areas or breakout spaces.



Armless



Fixed Arm



With Tablet



Jazz Stacking can be stacked up to 8 chairs high on the floor and 6 chairs high on a cart. This stackable design provides a great facility to store the chairs and optimized storage capacity.

JAZZ LINK

PUBLIC SEATING

Jazz Link is a modular bench chair for high-traffic public area. It can accommodate 2 to 4 seats, offering great versatility for waiting and transit areas. Jazz Link with 4 seaters bench is equipped with center support leg to be integrated with optional side table for multipurpose application.



2-Seater

3-Seater

4-Seater



2-seater link chair comes with centre table.

JAZZ SPECIFICATION



JAZZ SWIVEL

- 1) Optional foldable ABS writing tablet provides a generous writing surface and pivots 90 degrees.
- 2) Moulded polypropylene shell with perforations.
- 3) Robust tubular steel construction with epoxy powder coating.
- 4) Polypropylene armpad with matching chair shell colour.
- 5) Fully fabric upholstered PU foam seat pan.
- 6) Gas lift for seat height adjustment.
- 7) 5-star nylon base with 50 mm diameter castors.



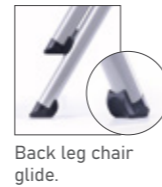
JAZZ NESTING

- 1) Optional foldable ABS writing tablet provides a generous writing surface and pivots 90 degrees.
- 2) Moulded polypropylene shell with perforations.
- 3) Polypropylene armpad with matching chair shell colour.
- 4) Fully fabric upholstered PU foam seat pan.
- 5) Robust tubular steel construction with epoxy powder coating or chrome.
- 6) Sturdy 60 mm diameter dual wheel nylon castors.



JAZZ STACKING

- 1) Optional foldable ABS writing tablet provides a generous writing surface and pivots 90 degrees.
- 2) Moulded polypropylene shell with perforations.
- 3) Polypropylene arm-pad with matching chair shell colour.
- 4) Fully fabric upholstered PU foam seat pan.
- 5) Robust tubular steel construction with epoxy powder coating or chrome.
- 6) Anti-scuff polycarbonate glides protect chair when moving and stacking.



Back leg chair glide.



Front leg chair glide.



JAZZ LINK

- 1) Moulded polypropylene shell with perforations.
- 2) Robust tubular steel construction with epoxy powder coating.
- 3) Fully fabric upholstered PU foam seat pan.
- 4) Rectangular steel beam is same colour with the chair frame and base.
- 5) Aluminium die-cast armrest in hollow square design.
- 6) Aluminium die-cast base with glide.

AVAILABLE OPTIONS

SHELL COLOURS



White

Light Grey

Beige

Black

FRAME COLOURS

Jazz Swivel, Nesting and Stacking



Chrome

Silver

Jazz Link



Grey

Black

BASE

Jazz Swivel, Nesting and Stacking



Swivel

4 legs with castor

4 legs with glide

Jazz Link



Bench leg

FABRIC COLOUR:



Cloud

Sand

Citrine

Golden stone

Ceylon yellow

Sun

Leather

Crimson

Fleme



Turile

Platinum

Mercury

Steel

Ametayst

Purple

Cinder

Midnight

Black



Apple green

Apple

Airforce blue

Aqua

Cyan

Tranquil

Blue tailed

Palace blue

True blue


Note:

- 1) For more fabric colour options, please refer to Artmatrix Vertex, Time and Galaxy II fabric chart.
- 2) Fabric colour shown may not be an accurate representation of the actual colour, please refer to actual colour samples for final colour confirmation.

CERTIFICATIONS

ANSI /BIFMA - Jazz
Test Report : 7191145379-EEC16/01-CSL

ZERTIFIKAT ◆ CERTIFICATE ◆ 認證證書 ◆ CERTIFICADO ◆ CERTIFICAT



TEST CERTIFICATE


This Certificate is issued to
Artmatrix Technology Sdn Bhd
 Lot 32789, Jalan 5/1A,
 Taman Perindustrian Selesa Jaya,
 43300 Balakong, Selangor Darul Ehsan,
 Malaysia.

FOR

Product: Office Chair
 Brand/Model: ARTMATRIX - JAZZ
 Detail: Type III
 Specification: ANSI/BIFMA X5.1-2011
 Test Report: 7191145379-EEC16/01-CSL
 Date of Test Report: 27 Sep 2016


Summary

A sample of product submitted was tested and was found to comply with the test requirements of the above standard(s).


 TÜV SÜD PSB Pte Ltd

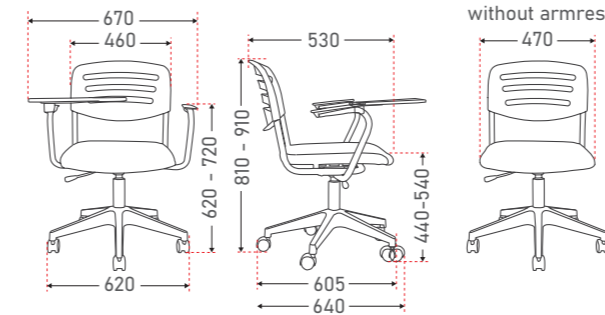
Certificate No: 03620	Date of Original Issue: 29/09/2016	Date of Last Revision: -	Date of Expiry: 28/09/2018
--------------------------	---------------------------------------	-----------------------------	-------------------------------

This Certificate is part of a full report and should be read in conjunction with it. This Certificate remains the property of TÜV SÜD PSB Pte Ltd and shall be returned upon request. The use of this Certificate is subjected to the terms and conditions of the Test Certification Scheme.
 Note: This Certificate is issued pursuant to the terms set out overleaf.

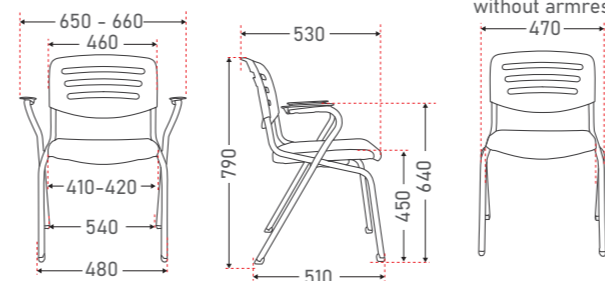
TÜV SÜD PSB Pte Ltd • 1 Science Park Drive, Singapore 118221


DIMENSIONS

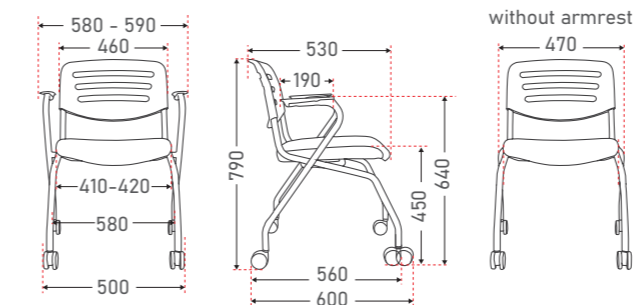
JAZZ SWIVEL



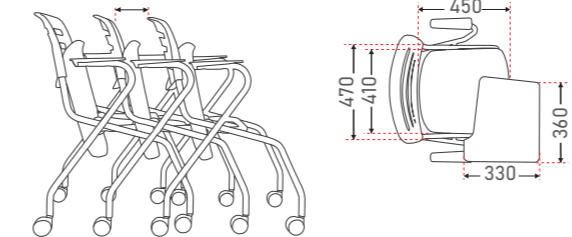
JAZZ STACKING



JAZZ NESTING

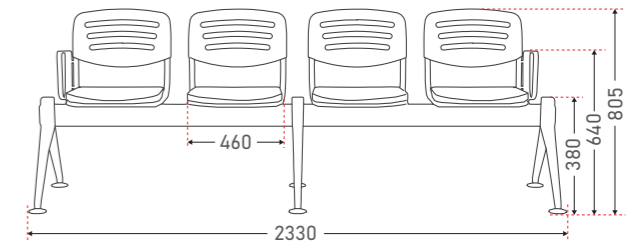
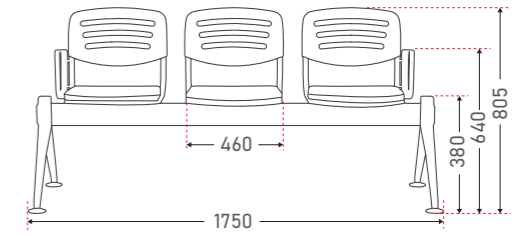
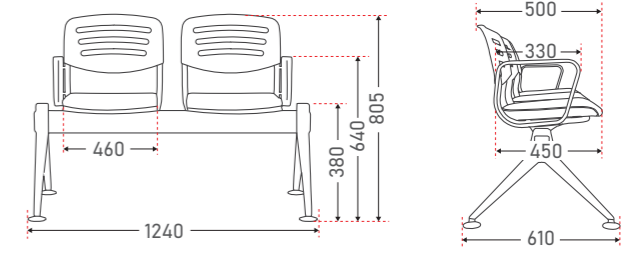


220 mm (With Tablet)
190 mm (Without Tablet)



Remark: All dimensions shown are in mm. Tolerance is ±5 mm.

JAZZ LINK



Container Loading Quantity

Jazz Models Container Size	Without armrest			With armrest					
	Swivel	Stacking	Nesting	Swivel	Stacking	Nesting	Link-2	Link-3	Link-4
Qty (Unit) / 20' GP	135	135	135	108	108	108	33	27	21
Qty (Unit) / 40' HQ	270	270	270	216	216	216	99	21	26

www.artmatrix.com.my



ARTMATRIX TECHNOLOGY SDN BHD 200501017101 (694144-X)
ARTMATRIX MANUFACTURING SDN BHD 200501016616 (693659-U)
Lot 32789, Jalan 5/1A, Taman Perindustrian Selesa Jaya,
43300 Balakong, Selangor, Malaysia.
☎ +603 8962 2286 📠 +603 8961 8862
✉ sales@artmatrix.com.my 🌐 www.artmatrix.com.my



MALAYSIA • SINGAPORE • THAILAND • MAURITIUS • INDIA • INDONESIA • PHILIPPINES • CAMBODIA • MYANMAR • SAUDI ARABIA

Accreditation



Green Labels and Awards



International Member of



Member of

